

PDF Watermark Remover DEMO : Purchase from www.PDFWatermarkRemover.com to remove the watermark

LA-2411

Compal confidential

Schematics Document

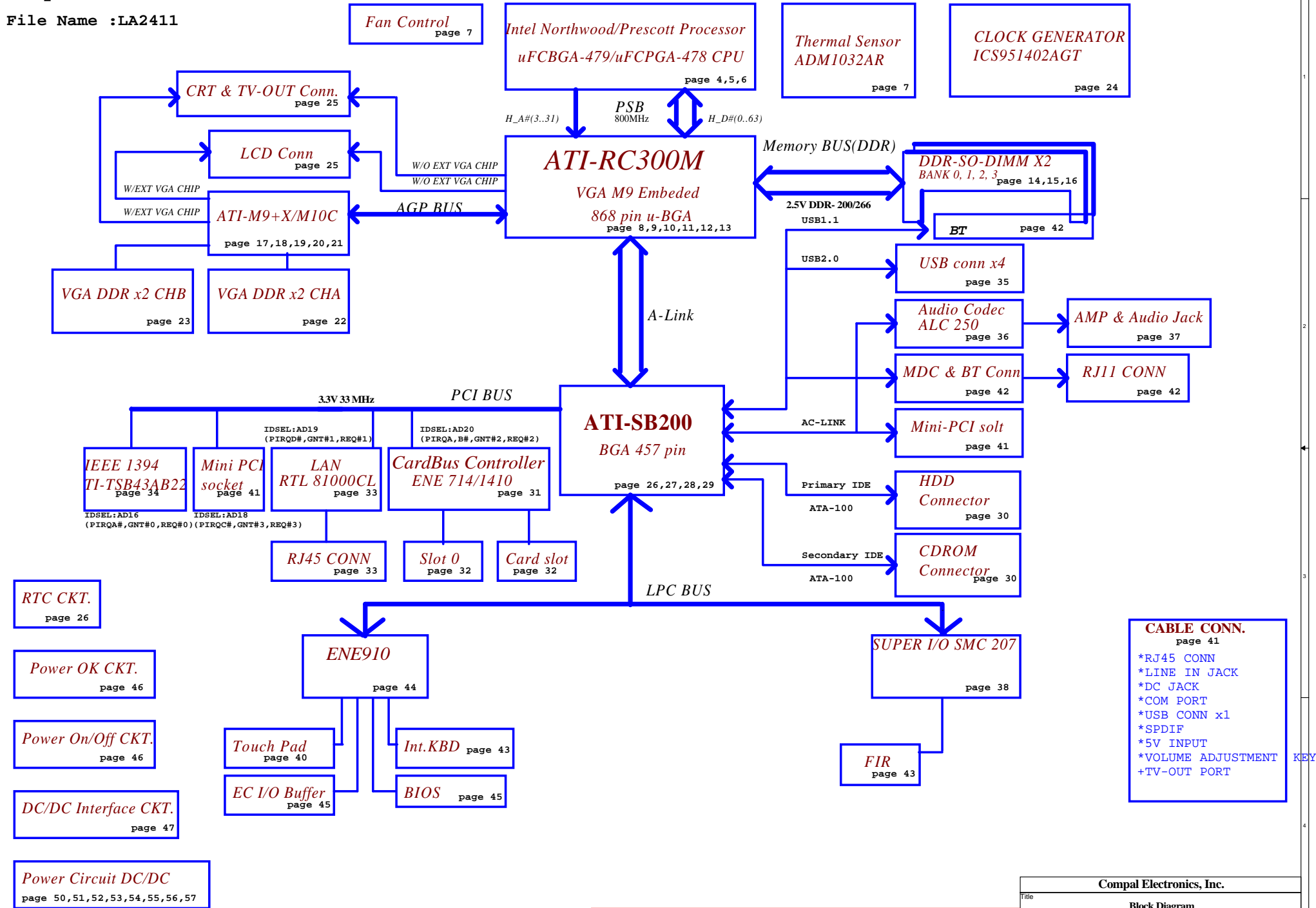
**DT TRANSPORT or Prescott uFCPGA
with ATI-RC300M+SB200 core logic**

2004-06-28

REV:0.3

Compal Electronics, Inc.		
Title		
Cover Sheet		
Size	Document Number	Rev
	LA-2411	0.1
Date:	星期三, 七月 07, 2004	
	Sheet	1 of 65

THIS SHEET OF ENGINEERING DRAWING IS THE PROPRIETARY PROPERTY OF COMPAL ELECTRONICS, INC. AND CONTAINS CONFIDENTIAL AND TRADE SECRET INFORMATION. THIS SHEET MAY NOT BE TRANSFERRED FROM THE CUSTODY OF THE COMPETENT DIVISION OF R&D DEPARTMENT EXCEPT AS AUTHORIZED BY COMPAL ELECTRONICS, INC. NEITHER THIS SHEET NOR THE INFORMATION IT CONTAINS MAY BE USED BY OR DISCLOSED TO ANY THIRD PARTY WITHOUT PRIOR WRITTEN CONSENT OF COMPAL ELECTRONICS, INC.



THIS SHEET OF ENGINEERING DRAWING IS THE PROPRIETARY PROPERTY OF COMPAL ELECTRONICS, INC. AND CONTAINS CONFIDENTIAL AND TRADE SECRET INFORMATION. THIS SHEET MAY NOT BE TRANSFERRED FROM THE CUSTODY OF THE COMPETENT DIVISION OF R&D DEPARTMENT EXCEPT AS AUTHORIZED BY COMPAL ELECTRONICS, INC. NEITHER THIS SHEET NOR THE INFORMATION IT CONTAINS MAY BE USED BY OR DISCLOSED TO ANY THIRD PARTY WITHOUT PRIOR WRITTEN CONSENT OF COMPAL ELECTRONICS, INC.

Compal Electronics, Inc.		
Block Diagram		
Size	Document Number	Rev
	LA-2411	0.1
Date:	星期三, 七月 07, 2004	Sheet 2 of 65

PDF Watermark Remover DEMO : Purchase from www.PDFWatermarkRemover.com to remove the watermark

Voltage Rails

Power Plane	Description	S0-S1	S3	S5
VIN	Adapter power supply (19V)	N/A	N/A	N/A
B+	AC or battery power rail for power circuit.	N/A	N/A	N/A
+VCC_CORE	Core voltage for CPU	ON	OFF	OFF
+VCCVID	The voltage for Processor VID select	ON	OFF	OFF
+1.25VS	1.25V switched power rail for DDR Vtt	ON	OFF	OFF
+1.2VS_VGA	1.2V I/O power rail for ATI-VGA M9+X/M10P.	ON	OFF	OFF
+1.5VS	1.5V I/O power rail for ATI-RS300M/RC300M NB AGP.	ON	OFF	OFF
+1.8VS	1.8V switched power rail for ATI-RS300M/RC300M NB.	ON	OFF	OFF
+2.5VALW	2.5V always on power rail	ON	ON	ON*
+2.5V	2.5V system power rail for DDR	ON	ON	OFF
+2.5VS	2.5V switched power rail	ON	OFF	OFF
+3VALW	3.3V always on power rail	ON	ON	ON*
+3V	3.3V system power rail for SB,LAN,CardReader and HUB.	ON	ON	OFF
+3VS	3.3V switched power rail	ON	OFF	OFF
+5VALW	5V always on power rail	ON	ON	ON*
+5V	5V system power rail .	ON	ON	OFF
+5VS	5V switched power rail	ON	OFF	OFF
+12VALW	12V always on power rail	ON	ON	ON*
RTCVC	RTC power	ON	ON	ON

Note : ON* means that this power plane is ON only with AC power available, otherwise it is OFF.

External PCI Devices

DEVICE	IDSEL #	REQ/GNT #	PIRQ
NB Internal VGA	N/A	N/A	A
AGP BUS	AGP_DEVSEL	N/A	A
SOUTHBRIDGE	AD31 (INT.)	N/A	N/A
USB	AD30 (INT.)	N/A	D
AC97	AD31 (INT.)	N/A	B
ATA 100	AD31 (INT.)	N/A	A
ETHERNET	AD24(INT.)	N/A	C
1394	AD16	0	A
LAN	AD19	1	D
CARD BUS	AD20	2	A,B
Wireless LAN(MINI PCI) AD18		3	C

I2C / SMBUS ADDRESSING

DEVICE	HEX	ADDRESS
DDR SO-DIMM 0	A0	1 0 1 0 0 0 0 X
DDR SO-DIMM 1	A2	1 0 1 0 0 0 1 X
CLOCK GENERATOR (EXT.)	D2	1 1 0 1 0 0 1 X

Symbol Note :

 : means Digital Ground

 : means Analog Ground

@ : means just reserve , no build

NAGP@ : means just build when no external AGP VGA chip build in (UMA).

M10@ : means build VGA M10

M9@ : means build VGA M9+X

M9-M10@ : means build VGA M9 or M10

1520@ : means build Cardbus PCI1520

1620@ : means build Cardbus PCI1620

ATI@ : means build ATI SB USB2.0 related to turn on the function .

NEC@ : means build NEC USB2.0 related to turn on the function .

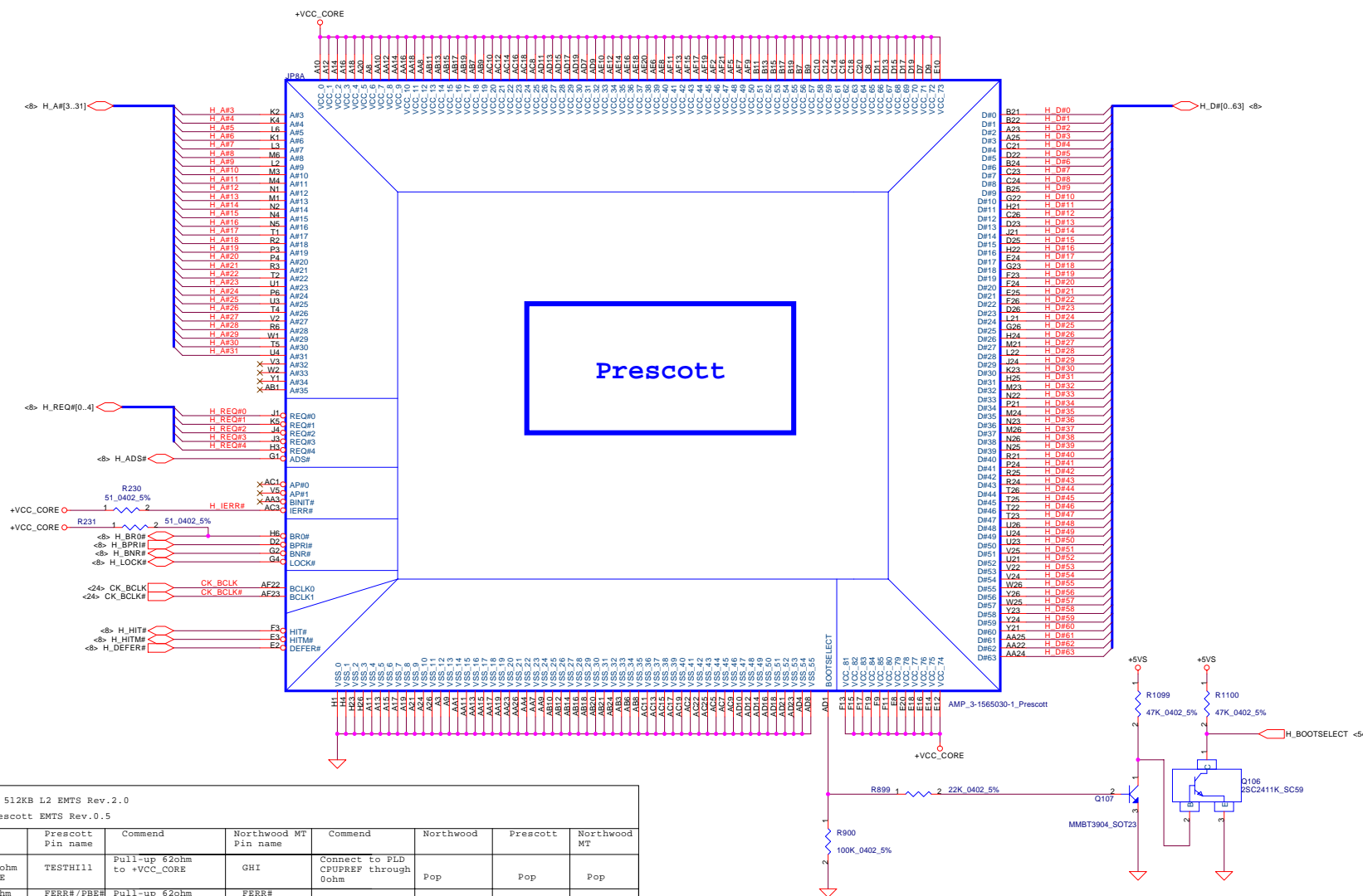
Board ID Table for AD channel

Vcc	3.3V +/- 5%			
Ra	100K +/- 5%			
Board ID	Rb	V _{AD_BID min}	V _{AD_BID typ}	V _{AD_BID max}
0	0	0 V	0 V	0 V
1	8.2K +/- 5%	0.216 V	0.250 V	0.289 V
2	18K +/- 5%	0.436 V	0.503 V	0.538 V
3	33K +/- 5%	0.712 V	0.819 V	0.875 V
4	56K +/- 5%	1.036 V	1.185 V	1.264 V
5	100K +/- 5%	1.453 V	1.650 V	1.759 V
6	200K +/- 5%	1.935 V	2.200 V	2.341 V
7	NC	2.500 V	3.300 V	3.300 V

Board ID	PCB Revision
0	0.1
1	
2	
3	
4	
5	
6	
7	

Compal Electronics, Inc.		
Notes List		
File		
Size	Document Number LA-2411	Rev 0.1
Date:	星期三, 七月 07, 2004	Sheet 3 of 65

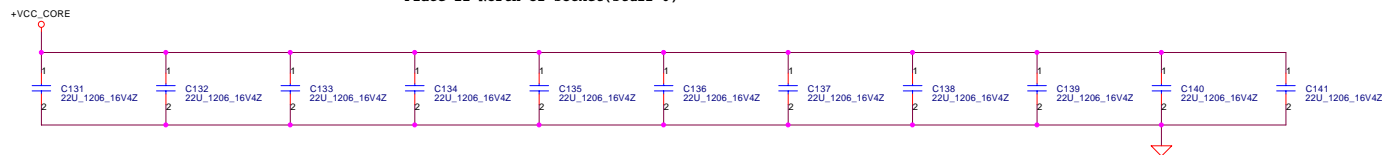
THIS SHEET OF ENGINEERING DRAWING IS THE PROPRIETARY PROPERTY OF COMPAL ELECTRONICS, INC. AND CONTAINS CONFIDENTIAL AND TRADE SECRET INFORMATION. THIS SHEET MAY NOT BE TRANSFERRED FROM THE CUSTODY OF THE COMPETENT DIVISION OF R&D DEPARTMENT EXCEPT AS AUTHORIZED BY COMPAL ELECTRONICS, INC. NEITHER THIS SHEET NOR THE INFORMATION IT CONTAINS MAY BE USED BY OR DISCLOSED TO ANY THIRD PARTY WITHOUT PRIOR WRITTEN CONSENT OF COMPAL ELECTRONICS, INC.



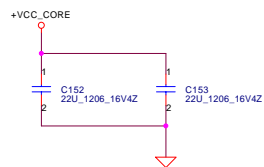
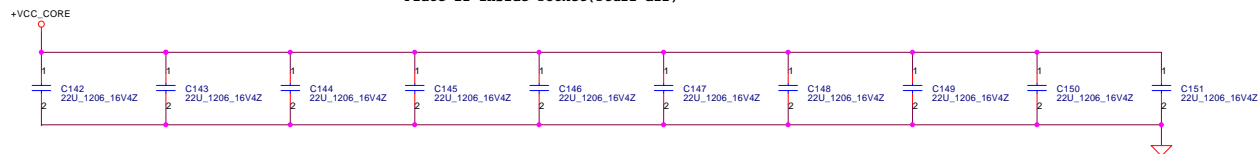
Reference Intel document
 Desktop P4 Spec.: 10988 P4 0.13u 512KB L2 EMTS Rev.2.0
 Desktop Prescott Spec.: 11910 Prescott EMTS Rev.0.5

Pin number	Northwood Pin name	Comment	Prescott Pin name	Comment	Northwood Pin name	MT	Comment	Northwood	Prescott	Northwood
B6	TESTH11	Pull-up 200ohm to +VCC_CORE	TESTH11	Pull-up 62ohm to +VCC_CORE	GHI		Connect to PLD CPUFBF through 0ohm	Pop	Pop	Pop
B6	FERR#	Pull-up 62ohm to +VCC_CORE	FERR#/FBER#	Pull-up 62ohm to +VCC_CORE	FERR#		Pull-up 62ohm to +VCC_CORE	Pop	Pop	Pop
AA20	ITPCLKOUT0	Pull-up 56ohm to +VCC_CORE	TESTH16	Pull-up 62ohm to +VCC_CORE	ITPCLKOUT0		Pull-up 56ohm to +VCC_CORE	Pop	Pop	Pop
AB22	ITPCLKOUT1	Pull-up 56ohm to +VCC_CORE	TESTH17	Pull-up 62ohm to +VCC_CORE	ITPCLKOUT1		Pull-up 56ohm to +VCC_CORE	Pop	Pop	Pop
AD2	NC	float	VIDPWRGD	Pull-up 2.43K ohm to +VCCVID	NC		float	Depop	Pop	Depop
AD3	NC	float	VID5	Pull-up 1Kohm to +3VTRN & connect to PNRIC	NC		float	Depop	Pop	Depop
AF3	NC	float	VCCVIDLB	Connect to +VCCVID	NC		float	Depop	Pop	Depop
AE23	VCCA	Connect to CPU Filter	VCCIOPLL	Connect to CPU Filter	VCCA		Connect to CPU Filter			
AD20	VCCIOPLL	Connect to CPU Filter	VCCA	Connect to CPU Filter	VCCIOPLL		Connect to CPU Filter			
AD1	VSS	Connect to GND	BOOTSELECT	CPU determine	VSS		Connect to GND	Pop	Depop	Pop
AE26	VSS	Connect to GND	OPTIMIZED/COMPAT#	float	VSS		Connect to GND	Pop	Depop	Pop
AD25	TESTH12	Pull-up 200ohm to +VCC_CORE	TESTH12	Pull-up 62ohm to +VCC_CORE	DPSLP		Connect to PLD through 0ohm	Pop	Pop	Pop

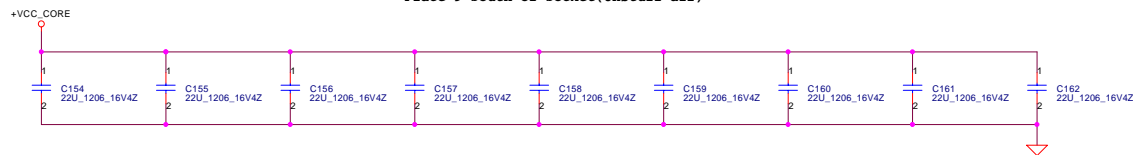
Place 11 North of Socket(Stuff 6)



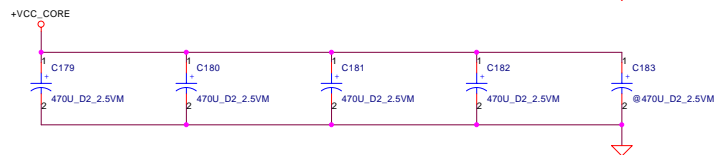
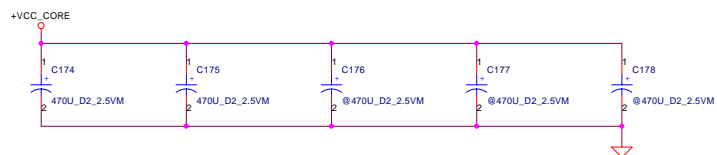
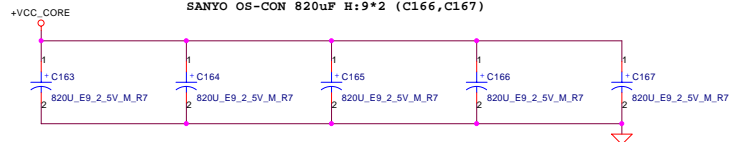
Place 12 Inside Socket(Stuff all)



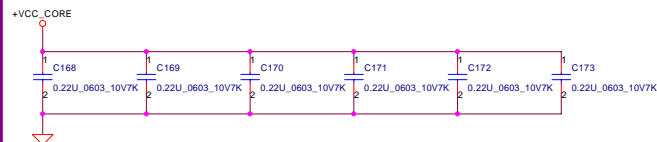
Place 9 South of Socket(Unstuff all)



SANYO OS-CON 820uF H:13*3 (C163,C164,C165)
 SANYO OS-CON 820uF H:9*2 (C166,C167)

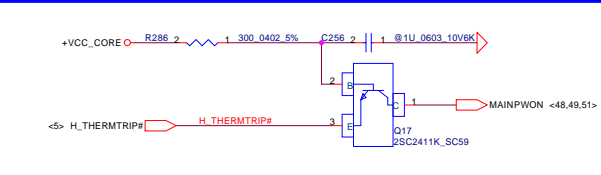
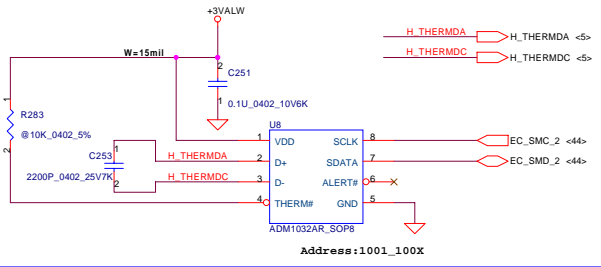


Place Inside Socket around the edge

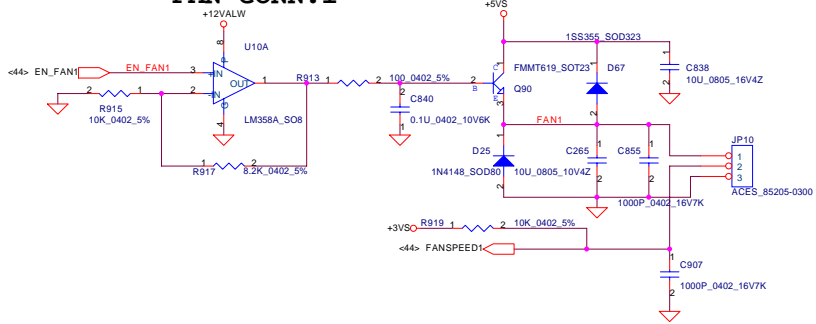


PDF Watermark Remover DEMO : Purchase from www.PDFWatermarkRemover.com to remove the watermark

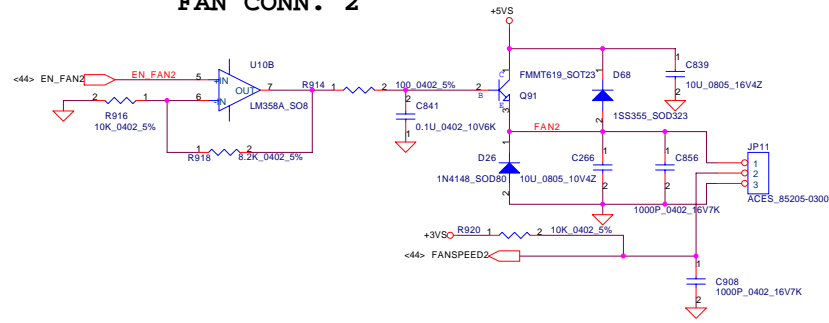
Thermal Sensor ADM1032AR



FAN CONN. 1



FAN CONN. 2

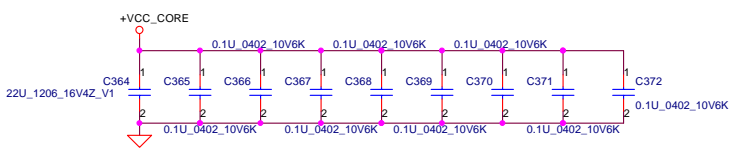
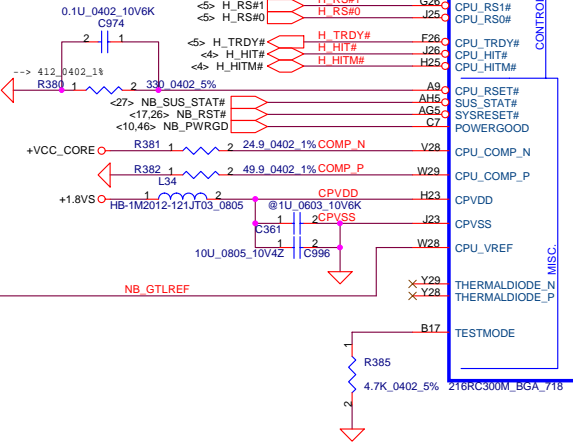
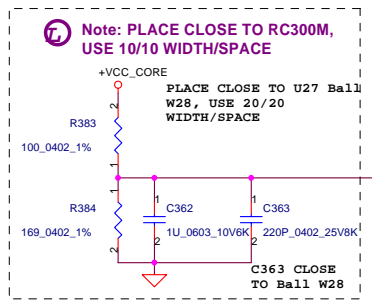
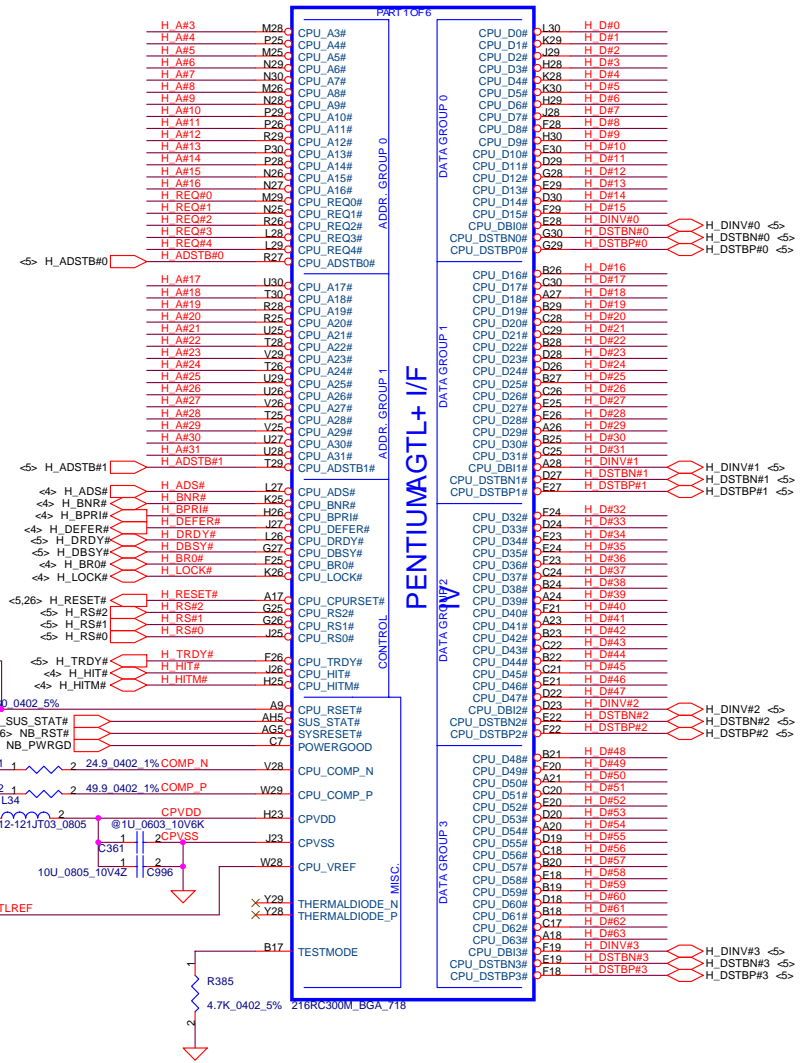


Compal Electronics, Inc.		
Title		
CPU Thermal Sensor&FAN CTRL		
Size	Document Number	Rev
	LA-2411	0.1
Date:	星期三, 七月 07, 2004	Sheet 7 of 65

THIS SHEET OF ENGINEERING DRAWING IS THE PROPRIETARY PROPERTY OF COMPAL ELECTRONICS, INC. AND CONTAINS CONFIDENTIAL AND TRADE SECRET INFORMATION. THIS SHEET MAY NOT BE TRANSFERRED FROM THE CUSTODY OF THE COMPETENT DIVISION OF R&D DEPARTMENT EXCEPT AS AUTHORIZED BY COMPAL ELECTRONICS, INC. NEITHER THIS SHEET NOR THE INFORMATION IT CONTAINS MAY BE USED BY OR DISCLOSED TO ANY THIRD PARTY WITHOUT PRIOR WRITTEN CONSENT OF COMPAL ELECTRONICS, INC.

H_A#[3..31] H_A#[3..31] <->
H_REQ#[0..4] H_REQ#[0..4] <->
H_D#[0..63] H_D#[0..63] <->

U27A

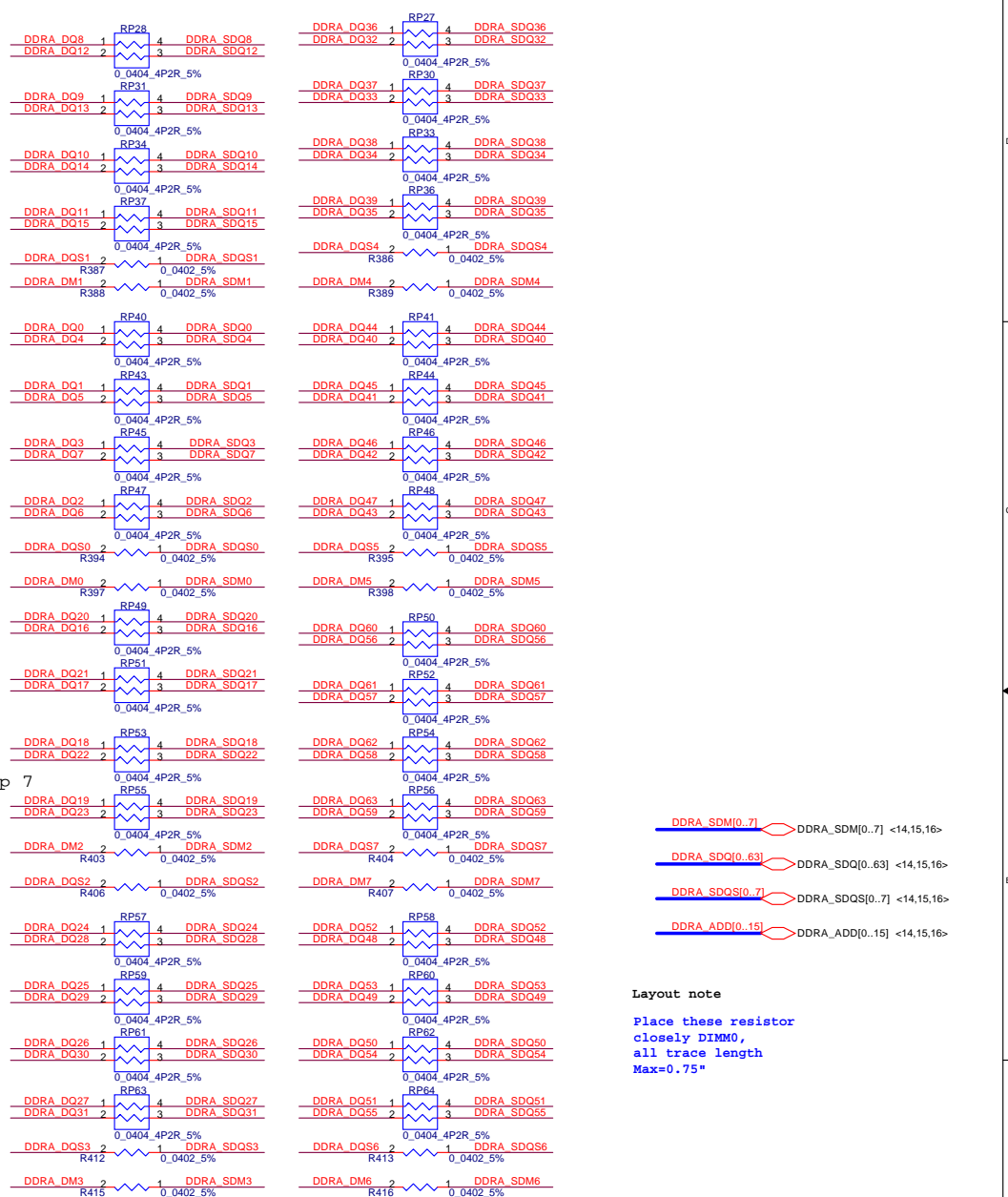
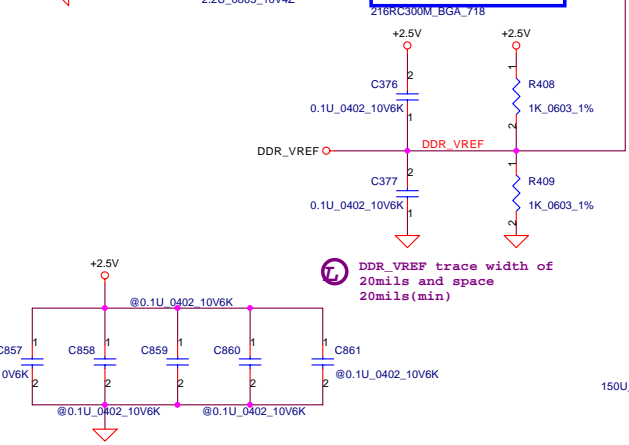


THIS SHEET OF ENGINEERING DRAWING IS THE PROPRIETARY PROPERTY OF COMPAL ELECTRONICS, INC. AND CONTAINS CONFIDENTIAL AND TRADE SECRET INFORMATION. THIS SHEET MAY NOT BE TRANSFERRED FROM THE CUSTODY OF THE COMPETENT DIVISION OF R&D DEPARTMENT EXCEPT AS AUTHORIZED BY COMPAL ELECTRONICS, INC. NEITHER THIS SHEET NOR THE INFORMATION IT CONTAINS MAY BE USED BY OR DISCLOSED TO ANY THIRD PARTY WITHOUT PRIOR WRITTEN CONSENT OF COMPAL ELECTRONICS, INC.

Compal Electronics, Inc.		
Title AT1RC300M-AGTL+		
Size	Document Number LA-2411	Rev 0.1
Date:	星期三, 七月 07, 2004	Sheet 8 of 65

MEM I/F		MEM I/F	
DDRA_ADD0	AH19	MEM_A0	MEM_D00
DDRA_ADD1	AJ17	MEM_A1	MEM_D01
DDRA_ADD2	AK17	MEM_A2	MEM_D02
DDRA_ADD3	AH18	MEM_A3	MEM_D03
DDRA_ADD4	AK16	MEM_A4	MEM_D04
DDRA_ADD5	AE17	MEM_A5	MEM_D05
DDRA_ADD6	AE18	MEM_A6	MEM_D06
DDRA_ADD7	AE16	MEM_A7	MEM_D07
DDRA_ADD8	AE17	MEM_A8	MEM_D08
DDRA_ADD9	AE16	MEM_A9	MEM_D09
DDRA_ADD10	AJ20	MEM_A10	MEM_D010
DDRA_ADD11	AG15	MEM_A11	MEM_D011
DDRA_ADD12	AF15	MEM_A12	MEM_D012
DDRA_ADD13	AE23	MEM_A13	MEM_D013
DDRA_ADD14	AH20	MEM_A14	MEM_D014
DDRA_ADD15	AE25	MEM_A15	MEM_D015
DDRA_DM0	AH7	MEM_DM0	MEM_DQ16
DDRA_DM1	AF10	MEM_DM1	MEM_DQ17
DDRA_DM2	AJ14	MEM_DM2	MEM_DQ18
DDRA_DM3	AF21	MEM_DM3	MEM_DQ19
DDRA_DM4	AH23	MEM_DM4	MEM_DQ20
DDRA_DM5	AK28	MEM_DM5	MEM_DQ21
DDRA_DM6	AD29	MEM_DM6	MEM_DQ22
DDRA_DM7	AB28	MEM_DM7	MEM_DQ23
DDRA_RAS#	AF24	MEM_RAS#	MEM_DQ24
DDRA_CAS#	AF25	MEM_CAS#	MEM_DQ25
DDRA_WE#	AE24	MEM_WE#	MEM_DQ26
DDRA_DQS0	AJ8	MEM_DQS0	MEM_DQ27
DDRA_DQS1	AF9	MEM_DQS1	MEM_DQ28
DDRA_DQS2	AH13	MEM_DQS2	MEM_DQ29
DDRA_DQS3	AE21	MEM_DQS3	MEM_DQ30
DDRA_DQS4	AJ23	MEM_DQS4	MEM_DQ31
DDRA_DQS5	AJ27	MEM_DQS5	MEM_DQ32
DDRA_DQS6	AC28	MEM_DQS6	MEM_DQ33
DDRA_DQS7	AA25	MEM_DQS7	MEM_DQ34
DDRA_CLK0	AK10	MEM_CLK0	MEM_DQ35
DDRA_CLK0#	AH10	MEM_CLK0#	MEM_DQ36
DDRA_CLK1	AH18	MEM_CLK1	MEM_DQ37
DDRA_CLK1#	AJ18	MEM_CLK1#	MEM_DQ38
DDRA_CLK3	AK11	MEM_CLK3	MEM_DQ39
DDRA_CLK3#	AJ11	MEM_CLK3#	MEM_DQ40
DDRA_CLK4	AH17	MEM_CLK4	MEM_DQ41
DDRA_CLK4#	AJ18	MEM_CLK4#	MEM_DQ42
DDRA_CKE_R0	AF13	MEM_CKE0	MEM_DQ43
DDRA_CKE_R1	AE13	MEM_CKE1	MEM_DQ44
DDRA_CKE_R2	AG14	MEM_CKE2	MEM_DQ45
DDRA_CKE_R3	AF14	MEM_CKE3	MEM_DQ46
DDRA_CS#0	AH26	MEM_CS#0	MEM_DQ47
DDRA_CS#1	AH27	MEM_CS#1	MEM_DQ48
DDRA_CS#2	AF26	MEM_CS#2	MEM_DQ49
DDRA_CS#3	AG27	MEM_CS#3	MEM_DQ50

Group 6 sweep Group 7



- DDRA_SDM0[.7] <14,15,16>
- DDRA_SQ0[.63] <14,15,16>
- DDRA_SQ05[.7] <14,15,16>
- DDRA_ADD[0..15] <14,15,16>

Layout note
Place these resistor closely DIMM0, all trace length Max=0.75"

THIS SHEET OF ENGINEERING DRAWING IS THE PROPRIETARY PROPERTY OF COMPAL ELECTRONICS, INC. AND CONTAINS CONFIDENTIAL AND TRADE SECRET INFORMATION. THIS SHEET MAY NOT BE TRANSFERRED FROM THE CUSTODY OF THE COMPETENT DIVISION OF R&D DEPARTMENT EXCEPT AS AUTHORIZED BY COMPAL ELECTRONICS, INC. NEITHER THIS SHEET NOR THE INFORMATION IT CONTAINS MAY BE USED BY OR DISCLOSED TO ANY THIRD PARTY WITHOUT PRIOR WRITTEN CONSENT OF COMPAL ELECTRONICS, INC.

<13,26> A_AD[0..31] A_AD[0..31]
 <13,26> A_CBE#[0..3] A_CBE#[0..3]

U27C
 A_AD0 AK5 ALINK_AD0
 A_AD1 AJ5 ALINK_AD1
 A_AD2 AJ4 ALINK_AD2
 A_AD3 AH4 ALINK_AD3
 A_AD4 AJ3 ALINK_AD4
 A_AD5 AJ2 ALINK_AD5
 A_AD6 AH2 ALINK_AD6
 A_AD7 AH1 ALINK_AD7
 A_AD8 AG2 ALINK_AD8
 A_AD9 AG1 ALINK_AD9
 A_AD10 AS3 ALINK_AD10
 A_AD11 AF3 ALINK_AD11
 A_AD12 AF1 ALINK_AD12
 A_AD13 AF2 ALINK_AD13
 A_AD14 AF4 ALINK_AD14
 A_AD15 AE3 ALINK_AD15
 A_AD16 AE4 ALINK_AD16
 A_AD17 AE5 ALINK_AD17
 A_AD18 AE6 ALINK_AD18
 A_AD19 AE8 ALINK_AD19
 A_AD20 AC4 ALINK_AD20
 A_AD21 AB3 ALINK_AD21
 A_AD22 AC2 ALINK_AD22
 A_AD23 AB2 ALINK_AD23
 A_AD24 AB6 ALINK_AD24
 A_AD25 AA2 ALINK_AD25
 A_AD26 AA4 ALINK_AD26
 A_AD27 AA3 ALINK_AD27
 A_AD28 AAG ALINK_AD28
 A_AD29 Y3 ALINK_AD29
 A_AD30 Y8 ALINK_AD30
 A_AD31 YB ALINK_AD31

PCI Bus 0 / A-Link I/F
 PCI BUS 1 / AGP Bus (GPIO, TMS, TMDs, ZVPort)

PART 3 OF 6

A_CBE#0 AG4 ALINK_CBE#0
 A_CBE#1 AE2 ALINK_CBE#1
 A_CBE#2 AC3 ALINK_CBE#2
 A_CBE#3 AA3 ALINK_CBE#3
 A_PAR AD6 PCI_PAR/ALINK_NC
 A_STROBE# AC0 PCI_FRAME#/ALINK_STROBE#
 A_ACAT# AC5 PCI_IRDY#/ALINK_ACAT#
 A_END# AD2 PCI_TRDY#/ALINK_END#
 R10051 2 0 0.0402 5% WDC INT#
 A_DEVSEL# AD3 ALINK_DEVSEL#
 A_OFF# AD4 PCI_STOP#/ALINK_OFF#
 A_SBREQ# W5 ALINK_SBREQ#
 A_SBGNT# W6 ALINK_SBGNT#

PCI_REQ#/ALINK_NC R570 V5C
 PCI_GNT#/ALINK_NC V5C

AGP_GNT# K5 AGP2_GNT#/AGP3_GNT
 AGP_REQ# K6 AGP2_REQ#/AGP3_REQ
 AGP8X_DET# M5 AGP8X_DET#

AGPREF_8X J6 AGP_VREF/TMS_VREF
 C590

AGP_COMP J5 AGP_COMP
 R575 1 169_0402_1%

AGPREF_8X J6
 R576 2 324_0402_1%
 R577 1 100_0402_1%
 R945 NAGP@47K_0402

AGP8X_DET#

AGP2_CBE#0/AGP3_CBE0/TMD2_D7 R3
 AGP2_CBE#1/AGP3_CBE1/TMD2_DE M1
 AGP2_CBE#2/AGP3_CBE2 H1
 AGP2_CBE#3/AGP3_CBE3/TMD1_D5 H3
 AGP2_IRDY#/AGP3_IRDY#/GPIO8/I2C_CLK P5
 AGP2_TRDY#/AGP3_TRDY#/TMS_DVI_CLK R6
 AGP2_STOP#/AGP3_STOP#/GPIO10/DQ1A T6
 AGP_PAR T5
 AGP_FRAME# P6
 AGP_DEVSEL#/AGP3_DEVSEL#/GPIO9/I2C_DATA C1
 AGP_DBI_HI/PIPE# D3
 AGP_DBI_LO N6
 AGP_WBF# N5
 AGP2_SBA0/AGP3_SBA0#/GPIO0/VDDC_CNTL0 C3
 AGP2_SBA1/AGP3_SBA1#/GPIO1/VDDC_CNTL1 C2
 AGP2_SBA2/AGP3_SBA2#/GPIO2/LVDS_BLON# E4
 AGP2_SBA3/AGP3_SBA3#/GPIO3/LVDS_DICON# F6
 AGP2_SBA4/AGP3_SBA4#/GPIO4/STP_AGP# F5
 AGP2_SBA5/AGP3_SBA5#/GPIO5/AGP_BUSY# G5
 AGP2_SBA6/AGP3_SBA6#/GPIO6/LVDS_SSOUT G4
 AGP2_SBA7/AGP3_SBA7#/GPIO7/LVDS_SSIN G5
 AGP_ST0 L6
 AGP_ST1 M6
 AGP_ST2 L5

8X (M9+M10@)	4X (NAGP@)
Ra 169_0402_1%	Depop
Rb 324_0402_1%	1K_0402_1%
Rc 100_0402_1%	1K_0402_1%

Y2 AGP_AD0
 W3 AGP_AD1
 W2 AGP_AD2
 V3 AGP_AD3
 V2 AGP_AD4
 U1 AGP_AD5
 U1 AGP_AD6
 U3 AGP_AD7
 T2 AGP_AD8
 R2 AGP_AD9
 R3 AGP_AD10
 R2 AGP_AD11
 N3 AGP_AD12
 N2 AGP_AD13
 M3 AGP_AD14
 M2 AGP_AD15
 L1 AGP_AD16
 L2 AGP_AD17
 K2 AGP_AD18
 K2 AGP_AD19
 J3 AGP_AD20
 J2 AGP_AD21
 J1 AGP_AD22
 H3 AGP_AD23
 F3 AGP_AD24
 G2 AGP_AD25
 F2 AGP_AD26
 F1 AGP_AD27
 E2 AGP_AD28
 E1 AGP_AD29
 D2 AGP_AD30
 D1 AGP_AD31

AGP_SBSTB# AGP_SBSTB <17>
 AGP2_SBSTB#/AGP3_SBSTB#/NC/ENA_BL E6
 AGP2_ADSTB0#/AGP3_ADSTB0#/TMD2_CLK# U2
 AGP2_ADSTB1#/AGP3_ADSTB1#/TMD2_CLK G3
 AGP2_ADSTB1#/AGP3_ADSTB1#/TMD1_CLK H2

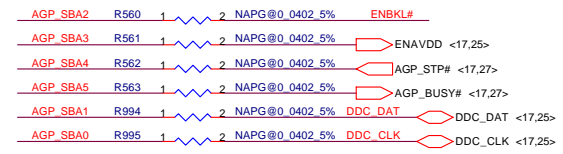
AGP2_CBE#0/AGP3_CBE0/TMD2_D7 R3
 AGP2_CBE#1/AGP3_CBE1/TMD2_DE M1
 AGP2_CBE#2/AGP3_CBE2 H1
 AGP2_CBE#3/AGP3_CBE3/TMD1_D5 H3

AGP2_IRDY#/AGP3_IRDY#/GPIO8/I2C_CLK P5
 AGP2_TRDY#/AGP3_TRDY#/TMS_DVI_CLK R6
 AGP2_STOP#/AGP3_STOP#/GPIO10/DQ1A T6
 AGP_PAR T5
 AGP_FRAME# P6
 AGP_DEVSEL#/AGP3_DEVSEL#/GPIO9/I2C_DATA C1
 AGP_DBI_HI/PIPE# D3
 AGP_DBI_LO N6
 AGP_WBF# N5

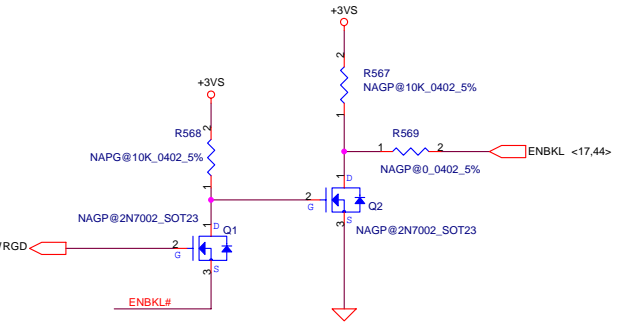
AGP2_SBA0/AGP3_SBA0#/GPIO0/VDDC_CNTL0 C3
 AGP2_SBA1/AGP3_SBA1#/GPIO1/VDDC_CNTL1 C2
 AGP2_SBA2/AGP3_SBA2#/GPIO2/LVDS_BLON# E4
 AGP2_SBA3/AGP3_SBA3#/GPIO3/LVDS_DICON# F6
 AGP2_SBA4/AGP3_SBA4#/GPIO4/STP_AGP# F5
 AGP2_SBA5/AGP3_SBA5#/GPIO5/AGP_BUSY# G5
 AGP2_SBA6/AGP3_SBA6#/GPIO6/LVDS_SSOUT G4
 AGP2_SBA7/AGP3_SBA7#/GPIO7/LVDS_SSIN G5

AGP_ST0 L6
 AGP_ST1 M6
 AGP_ST2 L5

AGPAND LVDS MUXED SIGNALS

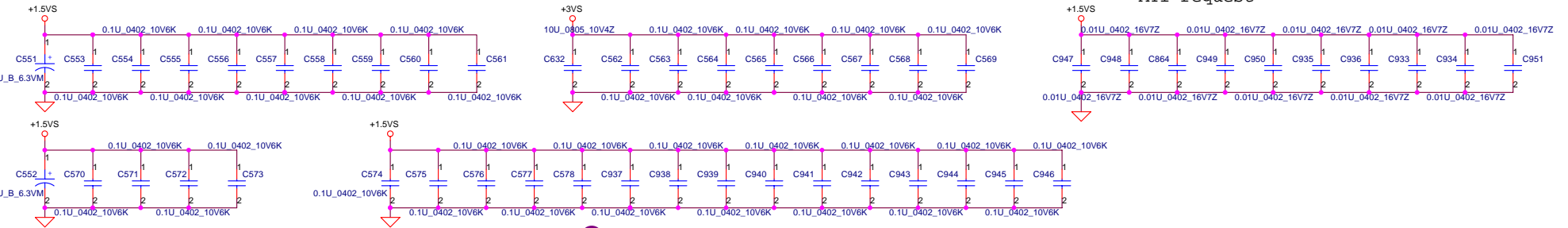


Pop for internal AGP
 Depop for M11P



Pop for internal AGP
 Depop for M11P

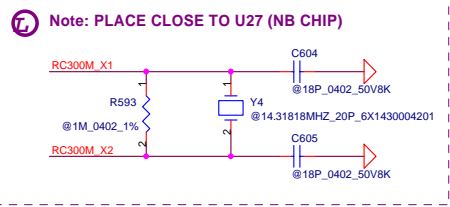
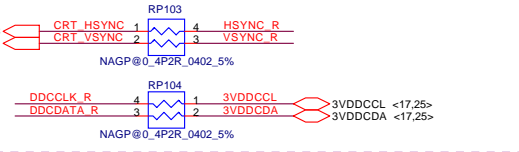
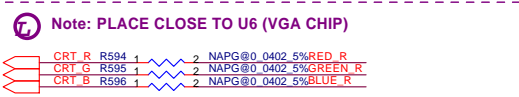
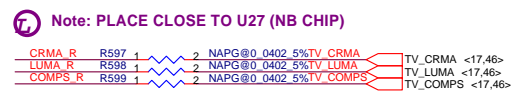
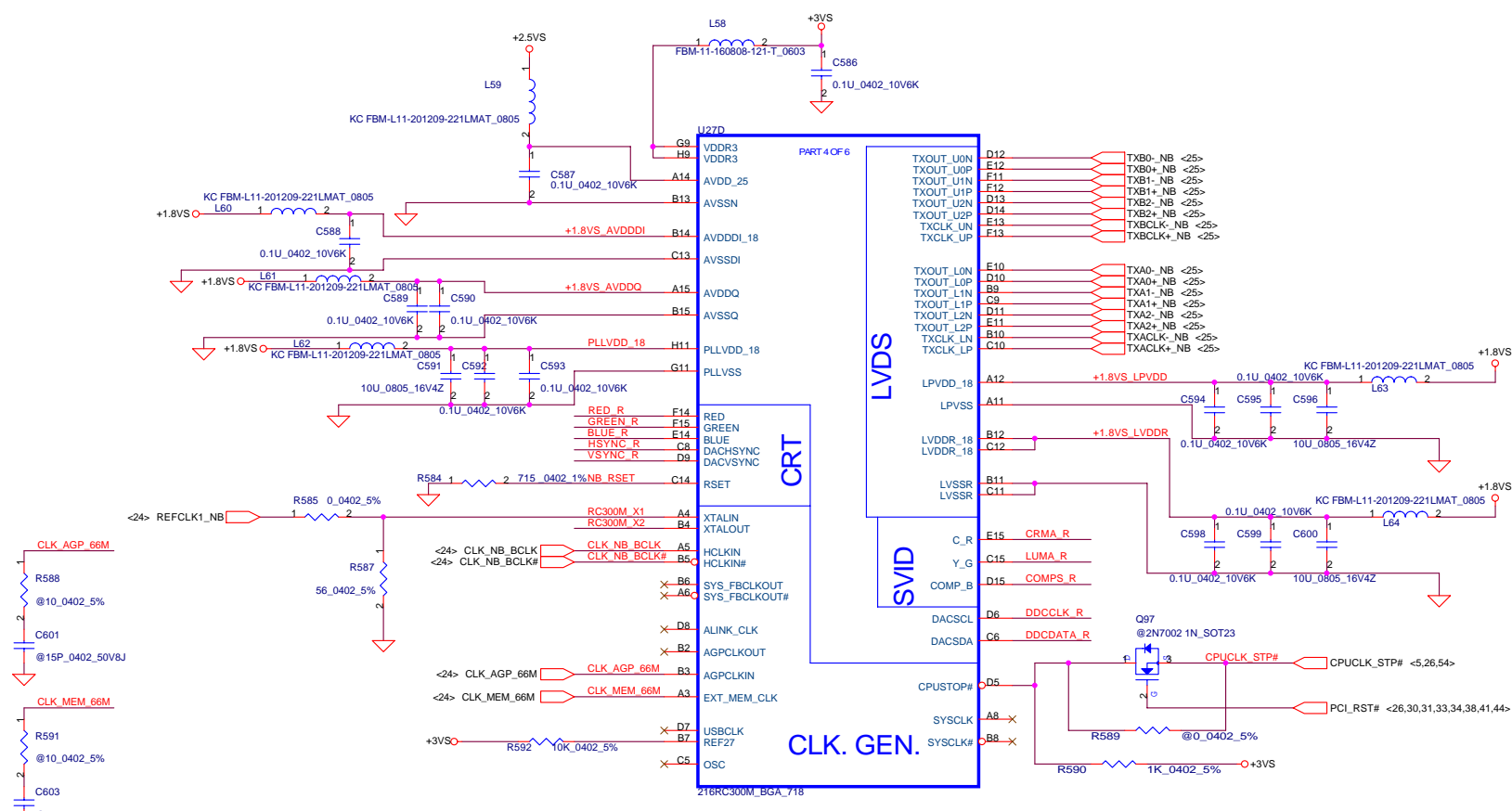
ATI request



Ⓡ Note: PLACE CLOSE TO U27 (NB RC300M)

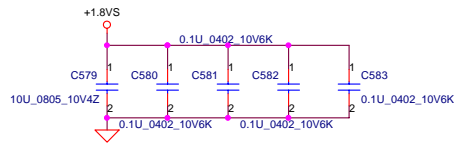
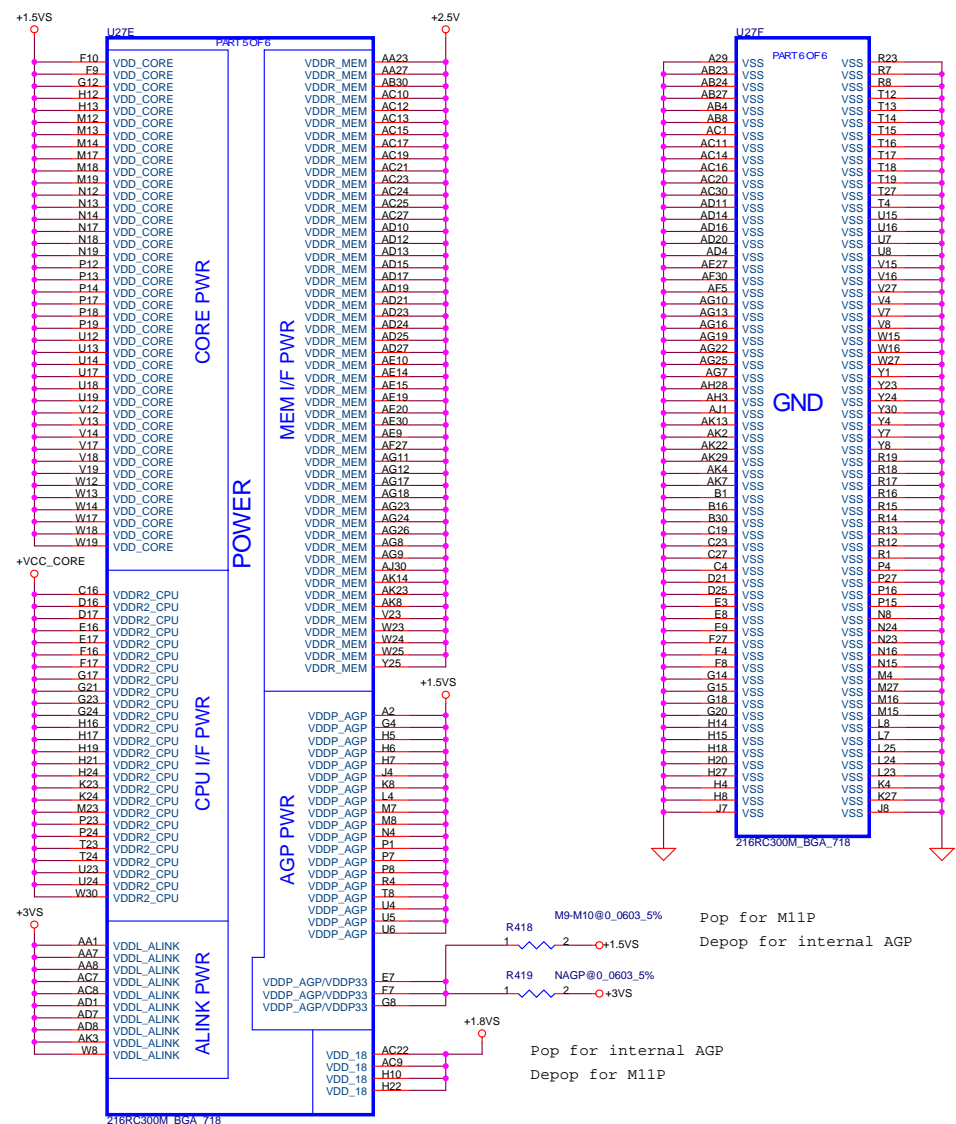
Compal Electronics, Inc.			
ATTIRC300M-AGP, ALINK BUS			
Title	Document Number	Rev	
	LA-2411	0.1	
Date:	星期三, 七月 07, 2004	Sheet	10 of 65

THIS SHEET OF ENGINEERING DRAWING IS THE PROPRIETARY PROPERTY OF COMPAL ELECTRONICS, INC. AND CONTAINS CONFIDENTIAL AND TRADE SECRET INFORMATION. THIS SHEET MAY NOT BE TRANSFERRED FROM THE CUSTODY OF THE COMPETENT DIVISION OF R&D DEPARTMENT EXCEPT AS AUTHORIZED BY COMPAL ELECTRONICS, INC. NEITHER THIS SHEET NOR THE INFORMATION IT CONTAINS MAY BE USED BY OR DISCLOSED TO ANY THIRD PARTY WITHOUT PRIOR WRITTEN CONSENT OF COMPAL ELECTRONICS, INC.





THIS SHEET OF ENGINEERING DRAWING IS THE PROPRIETARY PROPERTY OF COMPAL ELECTRONICS, INC. AND CONTAINS CONFIDENTIAL AND TRADE SECRET INFORMATION. THIS SHEET MAY NOT BE TRANSFERRED FROM THE CUSTODY OF THE COMPETENT DIVISION OF R&D DEPARTMENT EXCEPT AS AUTHORIZED BY COMPAL ELECTRONICS, INC. NEITHER THIS SHEET NOR THE INFORMATION IT CONTAINS MAY BE USED BY OR DISCLOSED TO ANY THIRD PARTY WITHOUT PRIOR WRITTEN CONSENT OF COMPAL ELECTRONICS, INC.

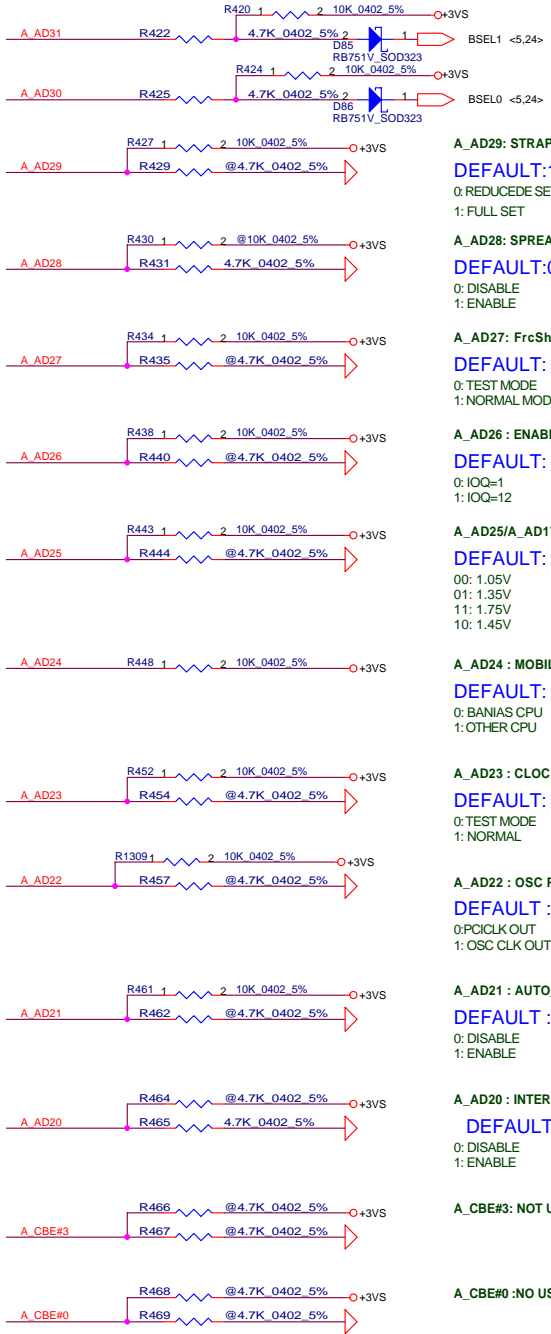
Compal Electronics, Inc.		
Title ATIR300M-VIDEO I/F		
Size	Document Number LA-2411	Rev 0.1
Date:	星期三, 七月 07, 2004	Sheet 11 of 65



Compal Electronics, Inc.		
Title AT1RC300M-POWER		
Size	Document Number LA-2411	Rev 0.1
Date:	星期三, 七月 07, 2004	Sheet 12 of 65

THIS SHEET OF ENGINEERING DRAWING IS THE PROPRIETARY PROPERTY OF COMPAL ELECTRONICS, INC. AND CONTAINS CONFIDENTIAL AND TRADE SECRET INFORMATION. THIS SHEET MAY NOT BE TRANSFERRED FROM THE CUSTODY OF THE COMPETENT DIVISION OF R&D DEPARTMENT EXCEPT AS AUTHORIZED BY COMPAL ELECTRONICS, INC. NEITHER THIS SHEET NOR THE INFORMATION IT CONTAINS MAY BE USED BY OR DISCLOSED TO ANY THIRD PARTY WITHOUT PRIOR WRITTEN CONSENT OF COMPAL ELECTRONICS, INC.

<10,26> A_AD[0..31]  A_AD[0..31]
 <10,26> A_CBE#[0..3]  A_CBE#[0..3]



A_AD[31..30] : FSB CLK SPEED
DEFAULT: 01
 00: 100 MHZ
 01: 133 MHZ
 10: 200MHZ
 11:166 MHZ

A_AD29: STRAP CONFIGURATION
DEFAULT:1
 0: REDUCEDE SET
 1: FULL SET

A_AD28: SPREAD SPECTRUM ENABLE
DEFAULT:0
 0: DISABLE
 1: ENABLE

A_AD27: FrcShortReset#
DEFAULT: 1
 0: TEST MODE
 1: NORMAL MODE

A_AD26 : ENABLE IOQ
DEFAULT: 1
 0: IOQ=1
 1: IOQ=12

A_AD25/A_AD17 : CPU VOLTAGE[1..0]
DEFAULT: 10 AD25=1 DESTOP CPU
 AD25=0 MOBILE CPU
 AD17--DON'T CARE
 00: 1.05V
 01: 1.35V
 11: 1.75V
 10: 1.45V

A_AD24 : MOBILE CPU SELECT
DEFAULT: 1
 0: BANIAS CPU
 1: OTHER CPU

A_AD23 : CLOCK BYPASS DISABLE
DEFAULT: 1
 0: TEST MODE
 1: NORMAL

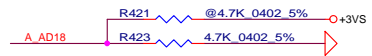
A_AD22 : OSC PAD OUTPUT PCICLK
DEFAULT : 1
 0:PCICLK OUT
 1: OSC CLK OUT

A_AD21 : AUTO_CAL ENABLE
DEFAULT : 1
 0: DISABLE
 1: ENABLE

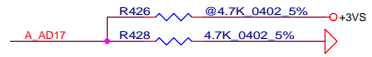
A_AD20 : INTERNAL CLK GEN ENABLE
DEFAULT : 0
 0: DISABLE
 1: ENABLE

A_CBE#3: NOT USED

A_CBE#0 :NO USED



A_AD18 : ENABLE PHASE CALIBRATION
DEFAULT: 0
 0: DISABLE
 1:ENABLE



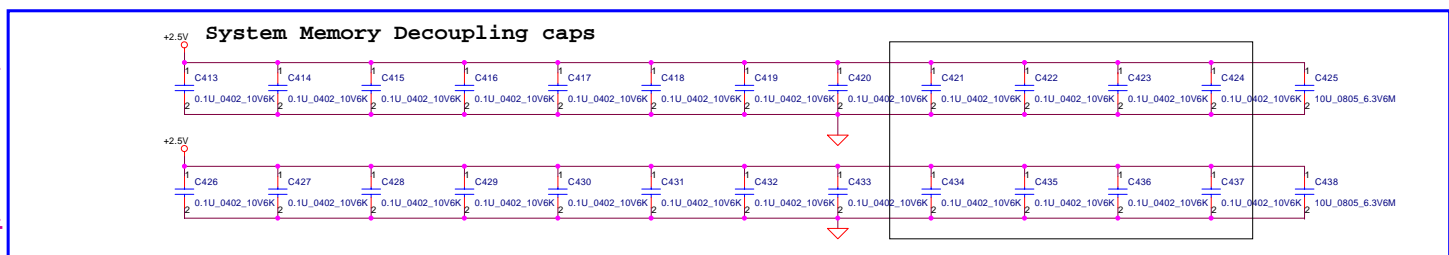
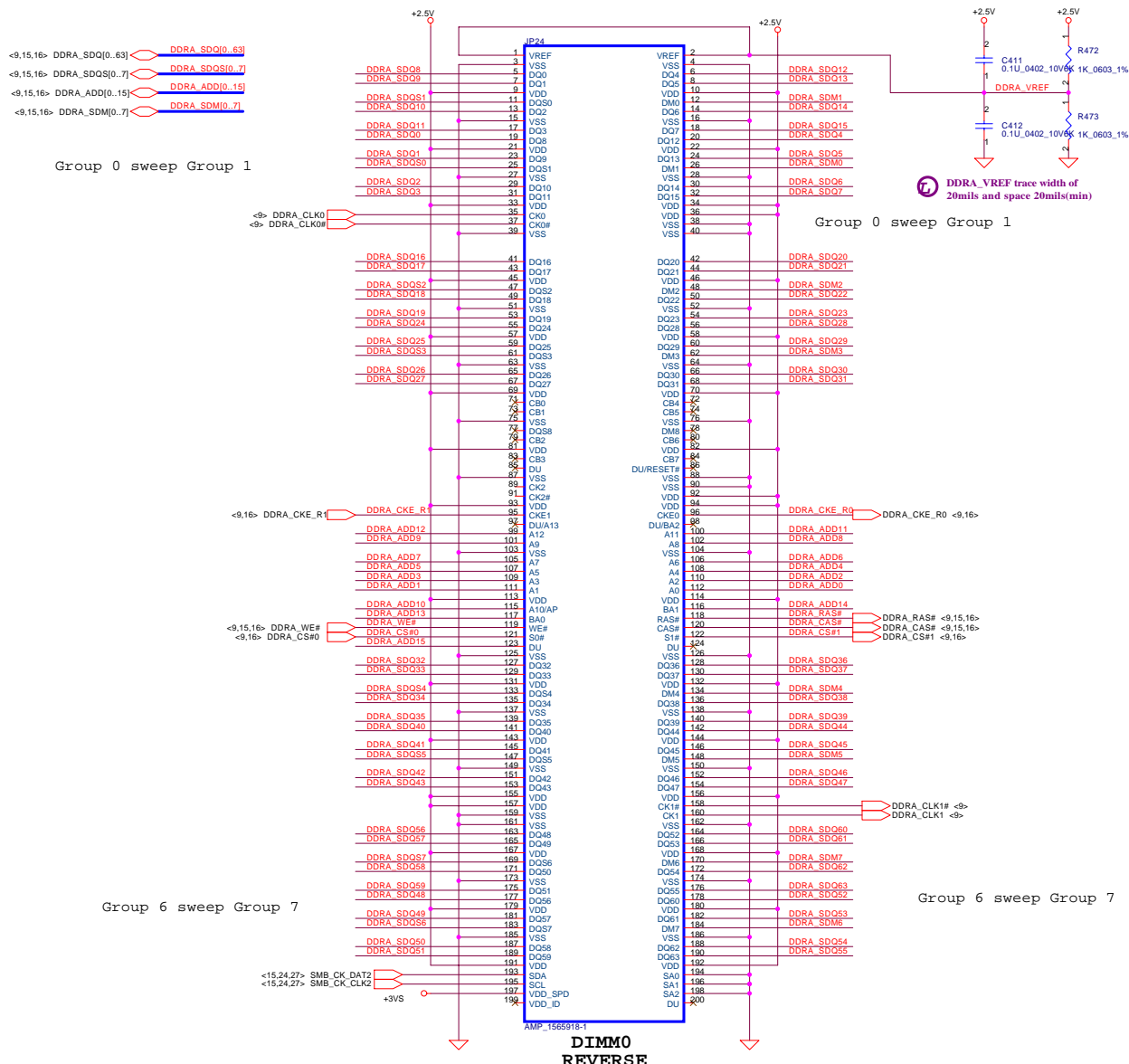
A_AD25/A_AD17 : CPU VOLTAGE[1..0]
DEFAULT: 0
 00: 1.05V
 01: 1.35V
 11: 1.75V
 10: 1.45V



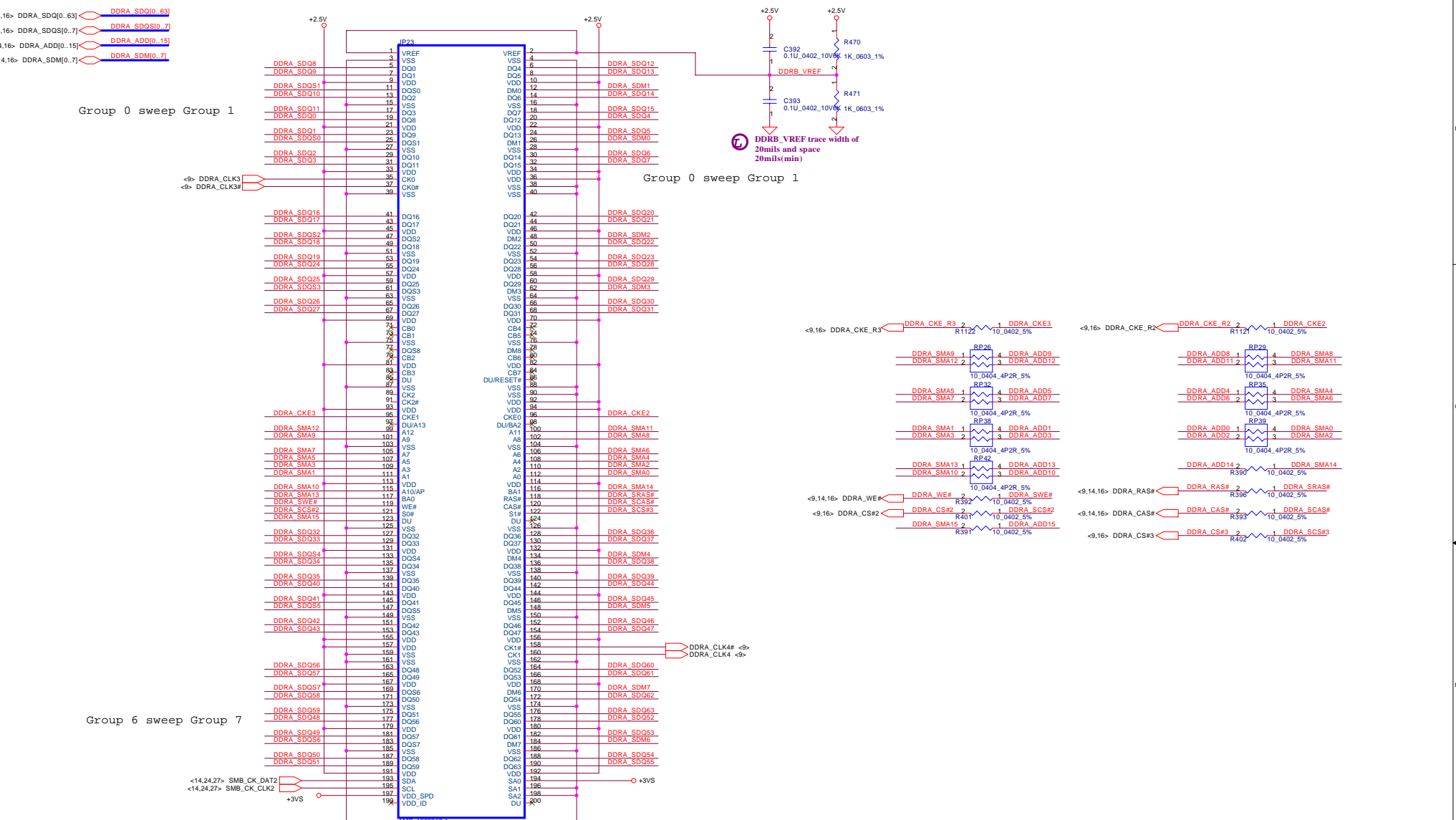
PAR: EXTENDED DEBUG MODE
DEFAULT : 1
 0: DEBUG MODE
 1: NORMAL

THIS SHEET OF ENGINEERING DRAWING IS THE PROPRIETARY PROPERTY OF COMPAL ELECTRONICS, INC. AND CONTAINS CONFIDENTIAL AND TRADE SECRET INFORMATION. THIS SHEET MAY NOT BE TRANSFERRED FROM THE CUSTODY OF THE COMPETENT DIVISION OF R&D DEPARTMENT EXCEPT AS AUTHORIZED BY COMPAL ELECTRONICS, INC. NEITHER THIS SHEET NOR THE INFORMATION IT CONTAINS MAY BE USED BY OR DISCLOSED TO ANY THIRD PARTY WITHOUT PRIOR WRITTEN CONSENT OF COMPAL ELECTRONICS, INC.

Compal Electronics, Inc.		
Title ATIRC300M-SYSTEM STRAP		
Size	Document Number LA-2411	Rev 0.1
Date: 星期三, 七月 07, 2004	Sheet 13 of 65	

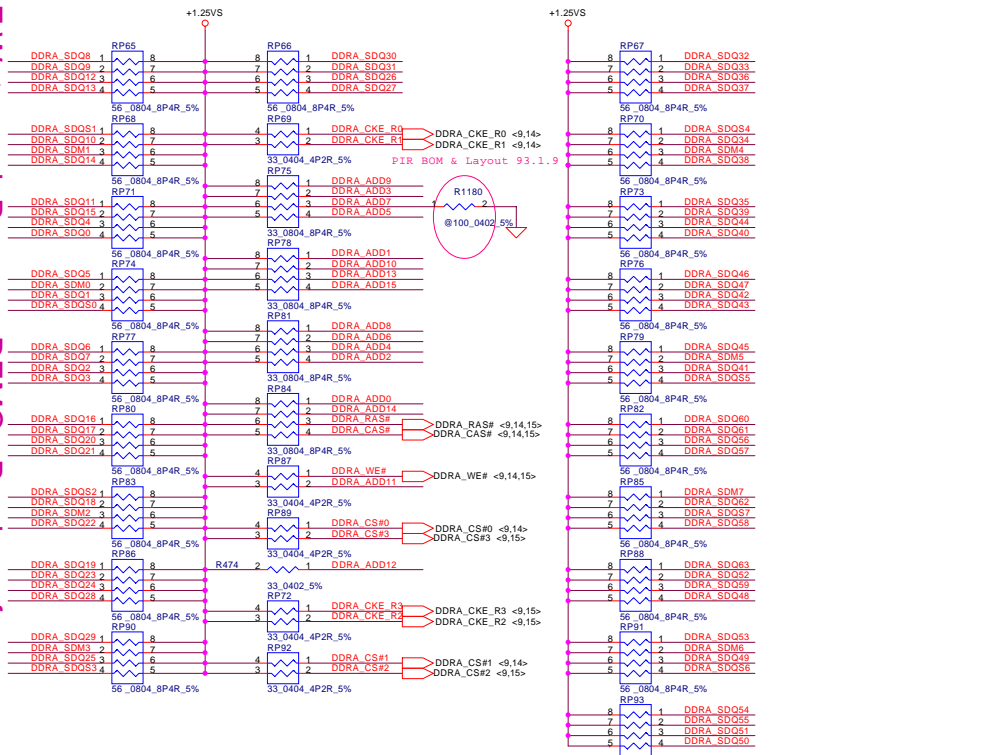


PDF Watermark Remover DEMO : Purchase from www.PDFWatermarkRemover.com to remove the watermark

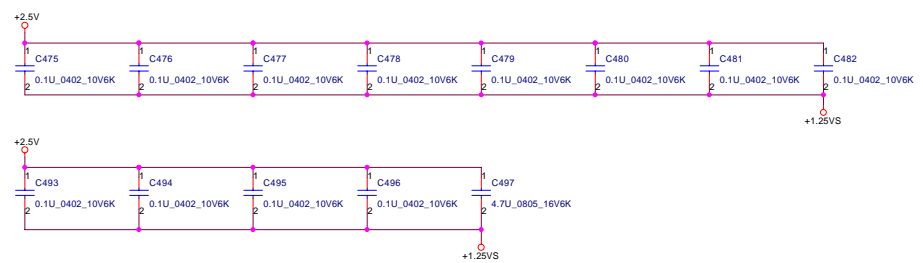
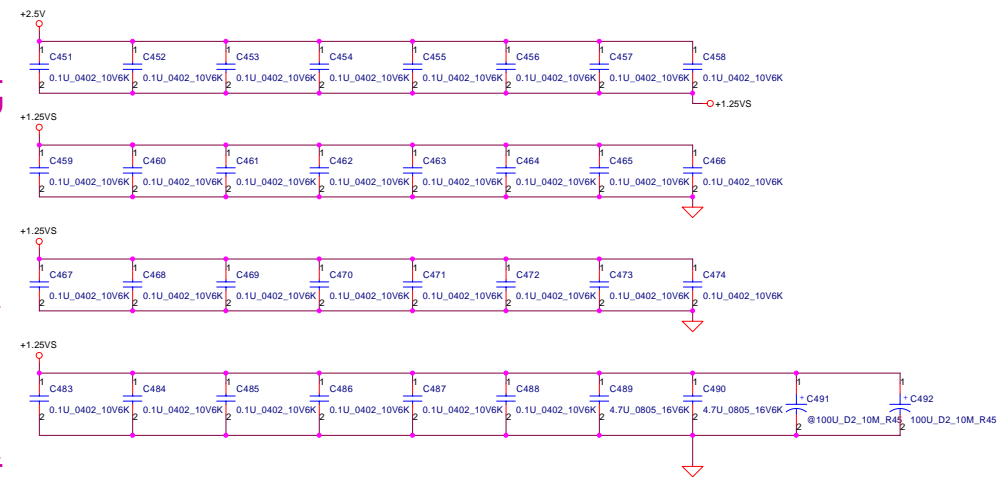


PDF Watermark Remover DEMO : Purchase from www.PDFWatermarkRemover.com to remove the watermark

DDR Termination resistors & Decoupling caps



- <9,14,15> DDRA_SDQ[0..63] **DDRA_SDQIO_63**
- <9,14,15> DDRA_SDOS[0..7] **DDRA_SDOSIO_7**
- <9,14,15> DDRA_ADD[0..15] **DDRA_ADDIO_15**
- <9,14,15> DDRA_SDM[0..7] **DDRA_SDMIO_7**

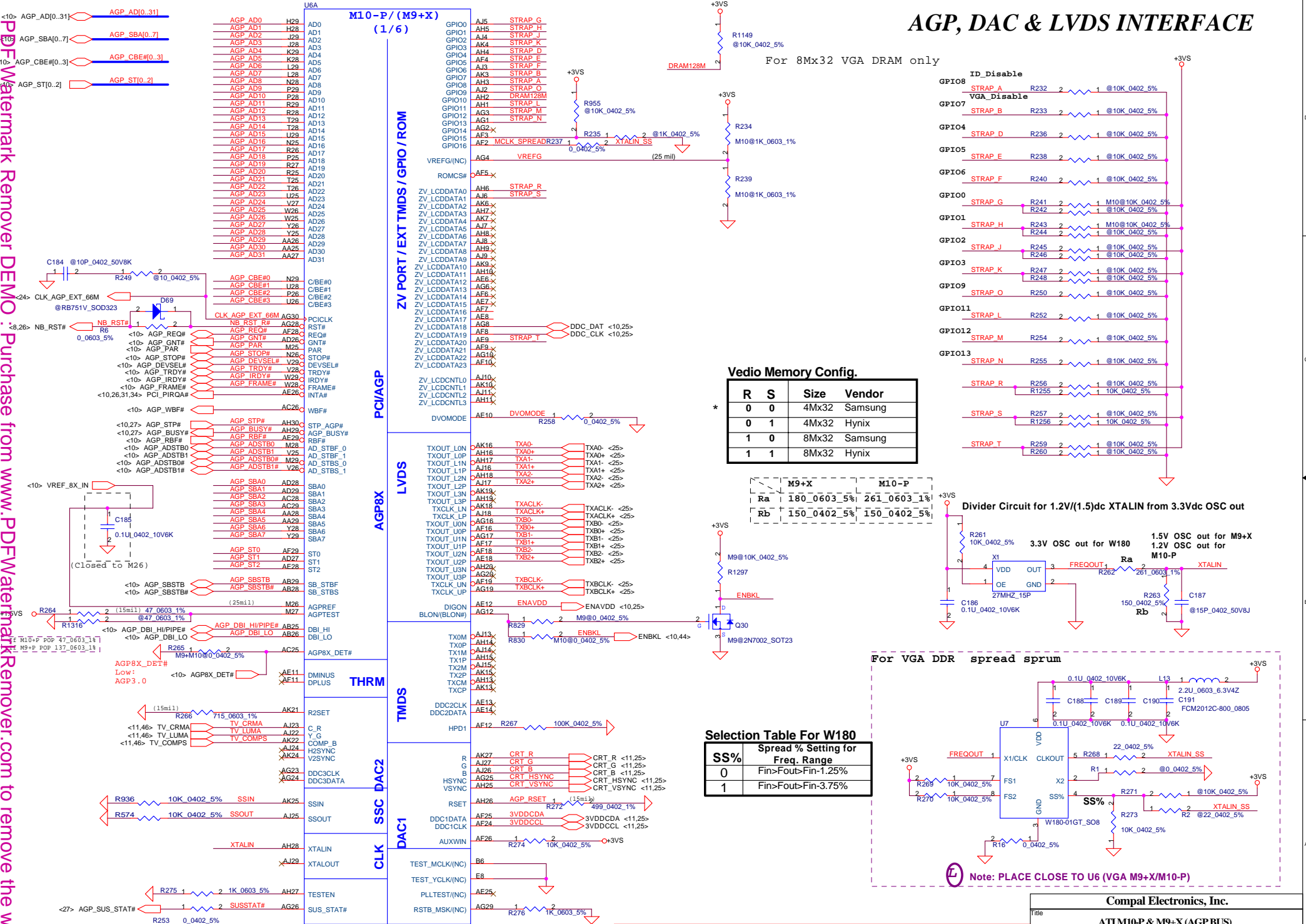


Compal Electronics, Inc.		
Title DDR Termination Resistors		
Size	Document Number LA-2411	Rev 0.1
Date	星期三, 七月 07, 2004	Sheet 16 of 65

THIS SHEET OF ENGINEERING DRAWING IS THE PROPRIETARY PROPERTY OF COMPAL ELECTRONICS, INC. AND CONTAINS CONFIDENTIAL AND TRADE SECRET INFORMATION. THIS SHEET MAY NOT BE TRANSFERRED FROM THE CUSTODY OF THE COMPETENT DIVISION OF R&D DEPARTMENT EXCEPT AS AUTHORIZED BY COMPAL ELECTRONICS, INC. NEITHER THIS SHEET NOR THE INFORMATION IT CONTAINS MAY BE USED BY OR DISCLOSED TO ANY THIRD PARTY WITHOUT PRIOR WRITTEN CONSENT OF COMPAL ELECTRONICS, INC.

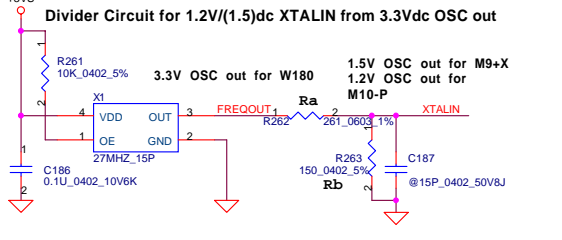
AGP, DAC & LVDS INTERFACE

For 8Mx32 VGA DRAM only



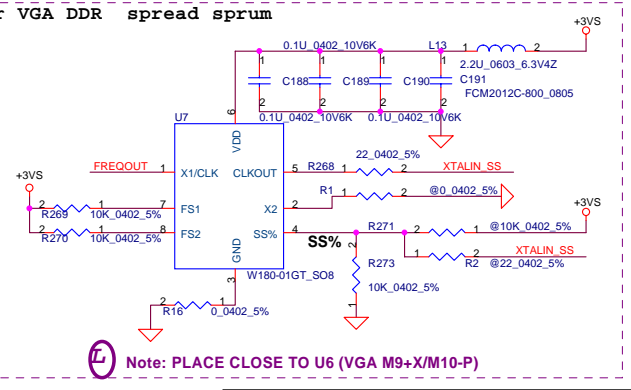
Vedio Memory Config.

R	S	Size	Vendor
0	0	4Mx32	Samsung
0	1	4Mx32	Hynix
1	0	8Mx32	Samsung
1	1	8Mx32	Hynix



Selection Table For W180

SS%	Spread % Setting for Freq. Range
0	Fin>Fout>Fin-1.25%
1	Fin>Fout>Fin-3.75%



Compal Electronics, Inc.

ATI M10-P & M9+X (AGP BUS)

LA-2411

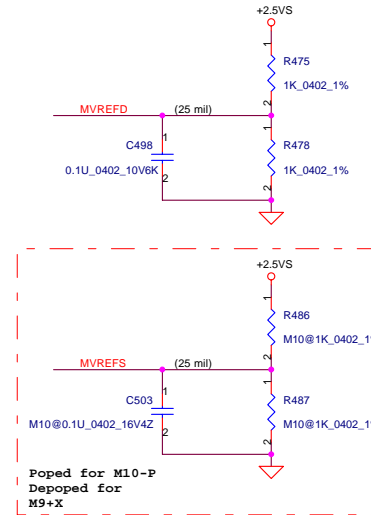
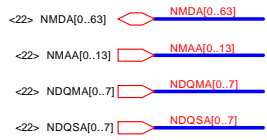
Date: 星期三, 七月 07, 2004

Sheet 17 of 65

THIS SHEET OF ENGINEERING DRAWING IS THE PROPRIETARY PROPERTY OF COMPAL ELECTRONICS, INC. AND CONTAINS CONFIDENTIAL AND TRADE SECRET INFORMATION. THIS SHEET MAY NOT BE TRANSMITTED FROM THE CUSTODY OF THE COMPETENT DIVISION OF R&D DEPARTMENT EXCEPT AS AUTHORIZED BY COMPAL ELECTRONICS, INC. NEITHER THIS SHEET NOR THE INFORMATION IT CONTAINS MAY BE USED BY OR DISCLOSED TO ANY THIRD PARTY WITHOUT PRIOR WRITTEN CONSENT OF COMPAL ELECTRONICS, INC.

Purchase from www.PDFWatermarkRemover.com to remove the watermark

MEMORY INTERFACE A

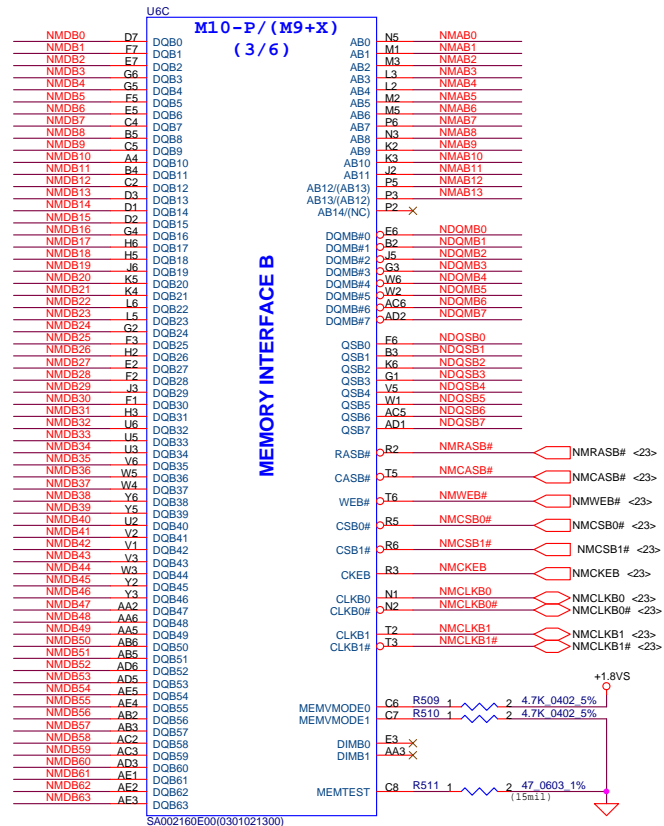
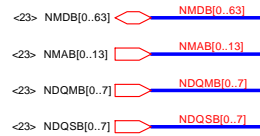


THIS SHEET OF ENGINEERING DRAWING IS THE PROPRIETARY PROPERTY OF COMPAL ELECTRONICS, INC. AND CONTAINS CONFIDENTIAL AND TRADE SECRET INFORMATION. THIS SHEET MAY NOT BE TRANSFERRED FROM THE CUSTODY OF THE COMPETENT DIVISION OF R&D DEPARTMENT EXCEPT AS AUTHORIZED BY COMPAL ELECTRONICS, INC. NEITHER THIS SHEET NOR THE INFORMATION IT CONTAINS MAY BE USED BY OR DISCLOSED TO ANY THIRD PARTY WITHOUT PRIOR WRITTEN CONSENT OF COMPAL ELECTRONICS, INC.

Compal Electronics, Inc.			
Title ATIM10-P/M9+XDDR-A			
Size	Document Number	Rev	
	LA-2411	0.1	
Date:	星期三, 七月 07, 2004	Sheet	18 of 65

PDF Watermark Remover DEMO : Purchase from www.PDFWatermarkRemover.com to remove the watermark

MEMORY INTERFACE B



THIS SHEET OF ENGINEERING DRAWING IS THE PROPRIETARY PROPERTY OF COMPAL ELECTRONICS, INC. AND CONTAINS CONFIDENTIAL AND TRADE SECRET INFORMATION. THIS SHEET MAY NOT BE TRANSFERRED FROM THE CUSTODY OF THE COMPETENT DIVISION OF R&D DEPARTMENT EXCEPT AS AUTHORIZED BY COMPAL ELECTRONICS, INC. NEITHER THIS SHEET NOR THE INFORMATION IT CONTAINS MAY BE USED BY OR DISCLOSED TO ANY THIRD PARTY WITHOUT PRIOR WRITTEN CONSENT OF COMPAL ELECTRONICS, INC.

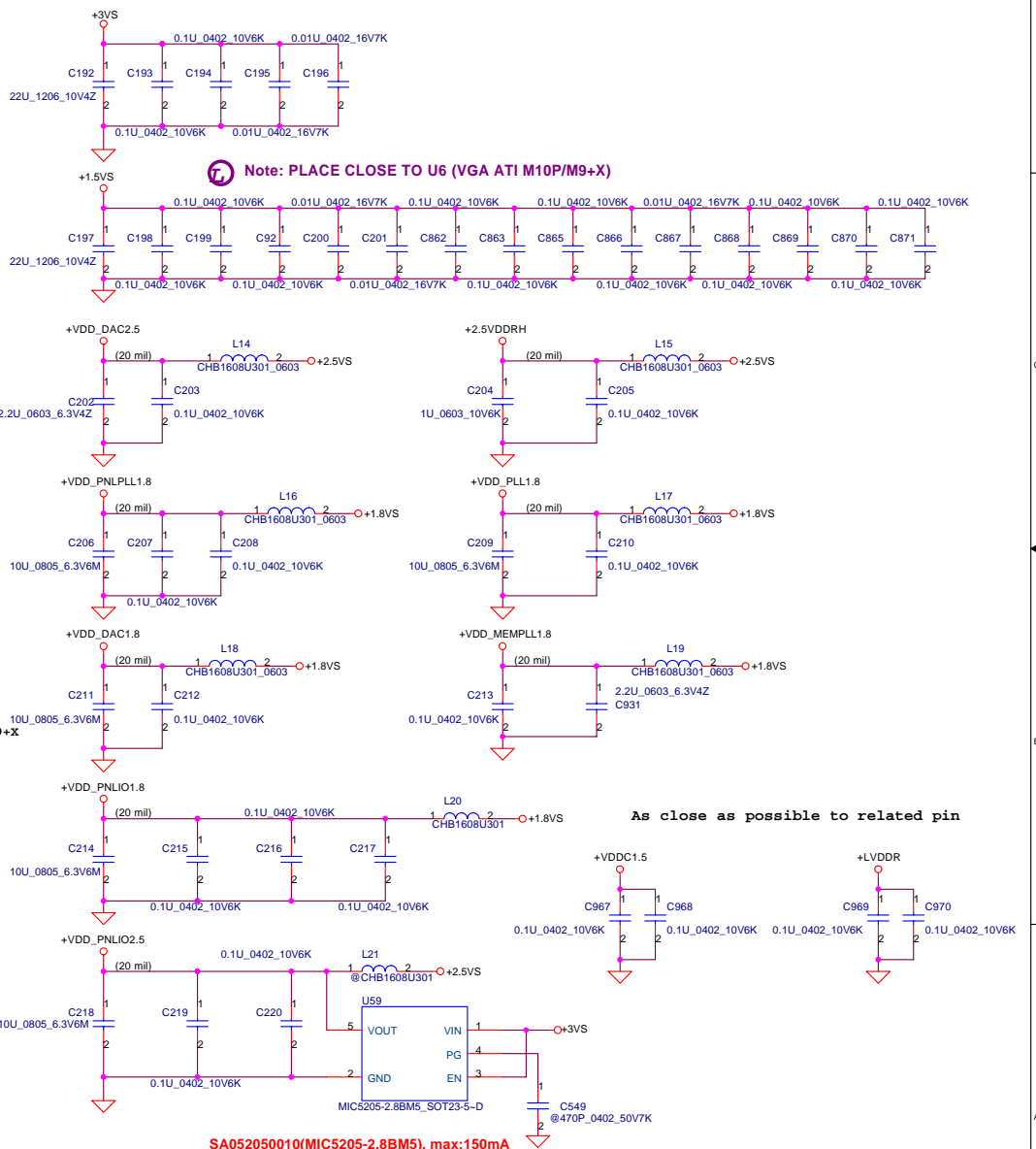
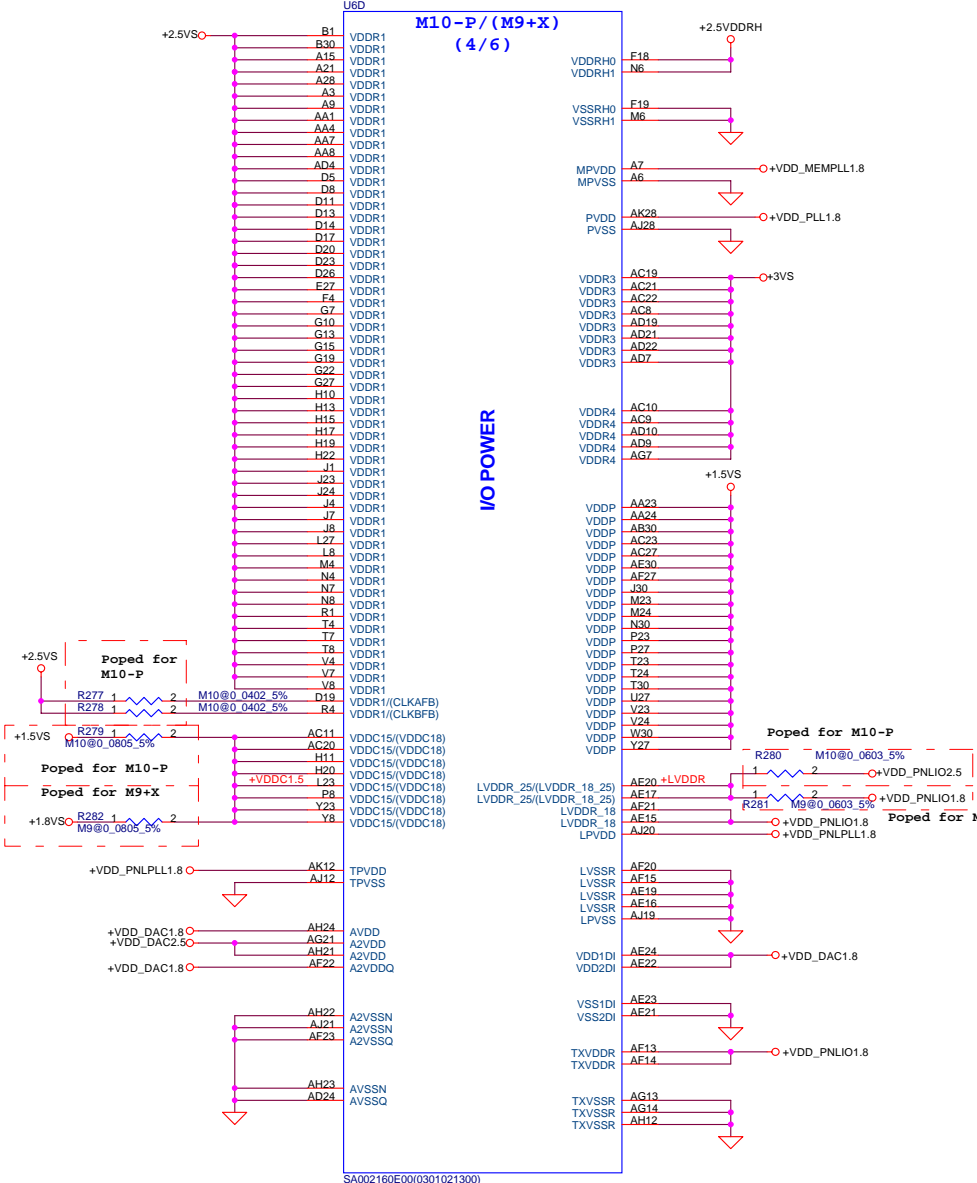
Compal Electronics, Inc.			
Title ATIM10-PM9+XDDR-B			
Size	Document Number	Rev	
	LA-2411	0.1	
Date:	星期三, 七月 07, 2004	Sheet	19 of 65

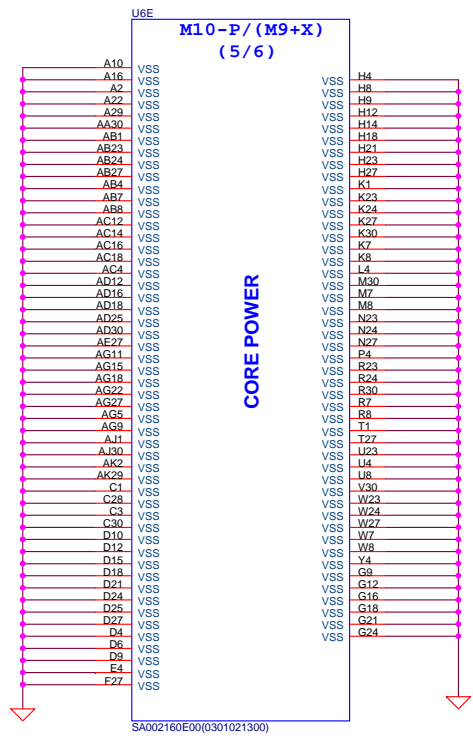
PDF Watermark Remover DEMO : Purchase from www.PDFWatermarkRemover.com to remove the watermark

POWER INTERFACE

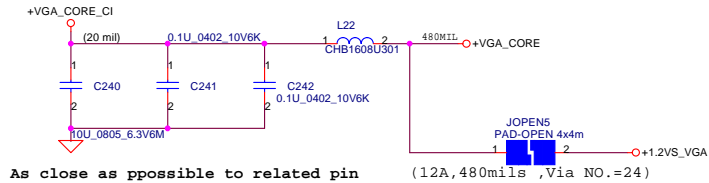
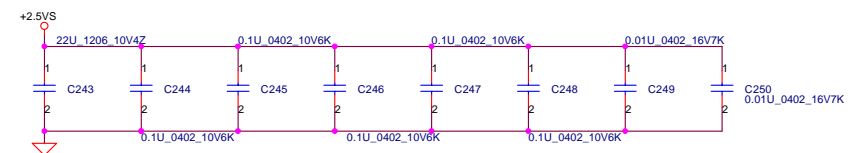
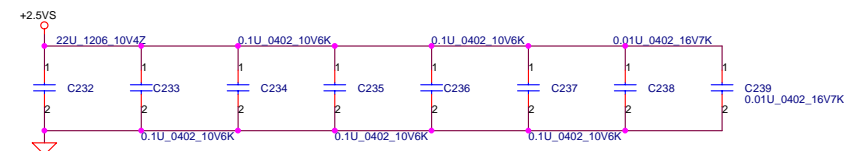
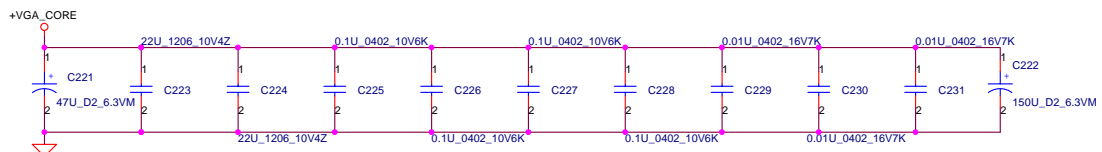
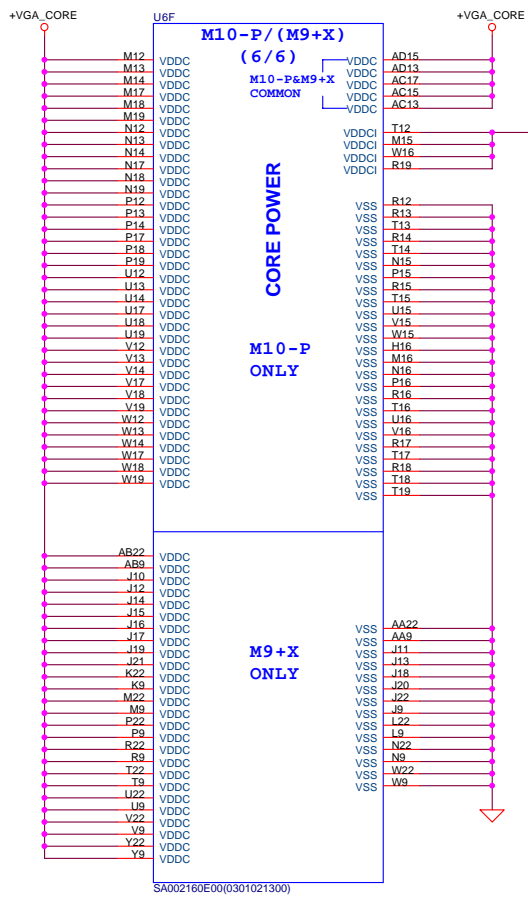
**M10-P / (M9+X)
(4/6)**

I/O POWER





POWER INTERFACE



As close as possible to related pin

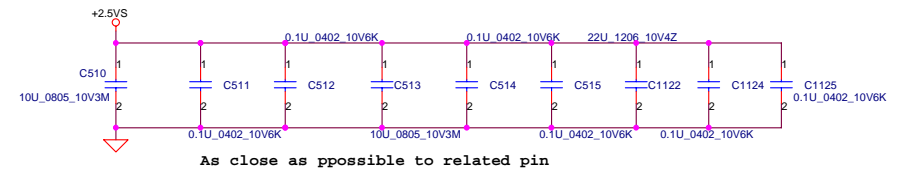
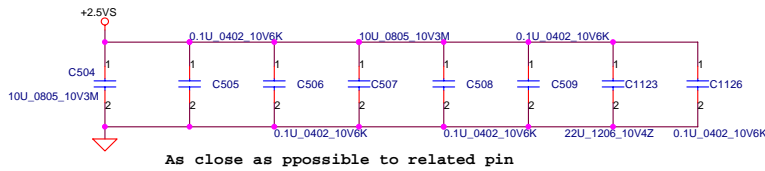
As close as possible to related pin

(12A, 480mils, Via NO.=24)

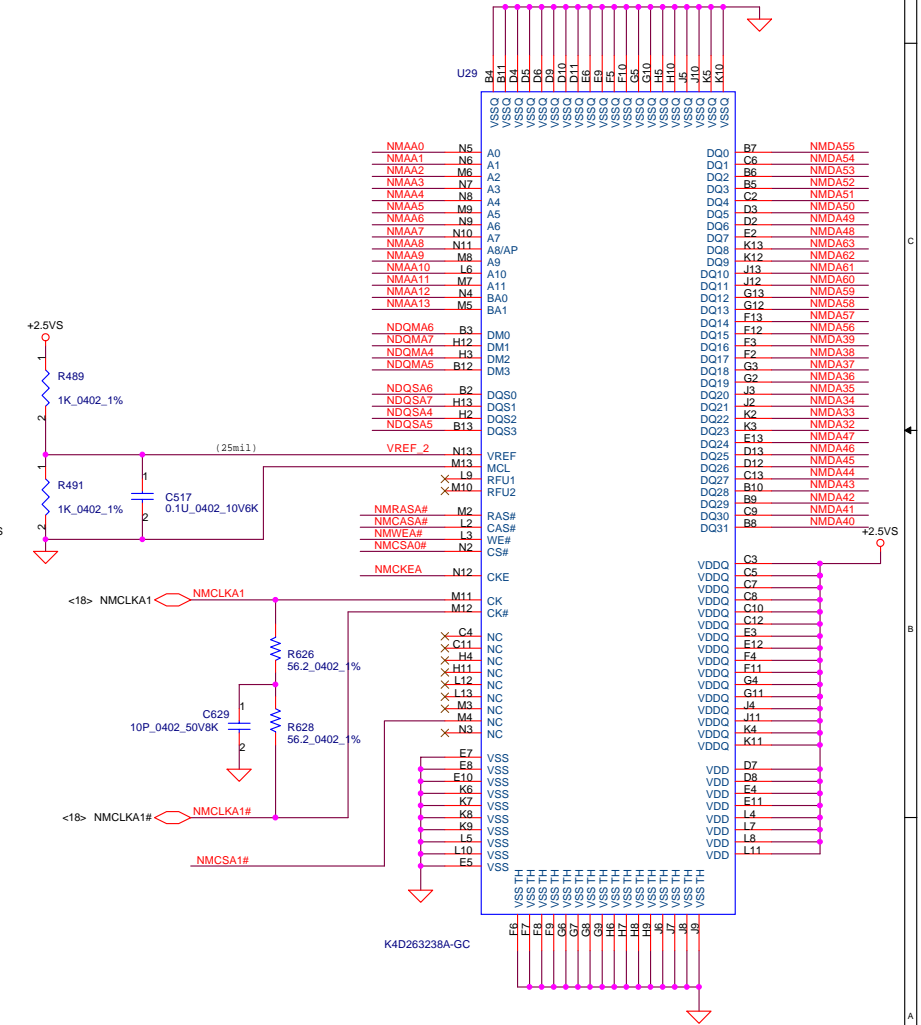
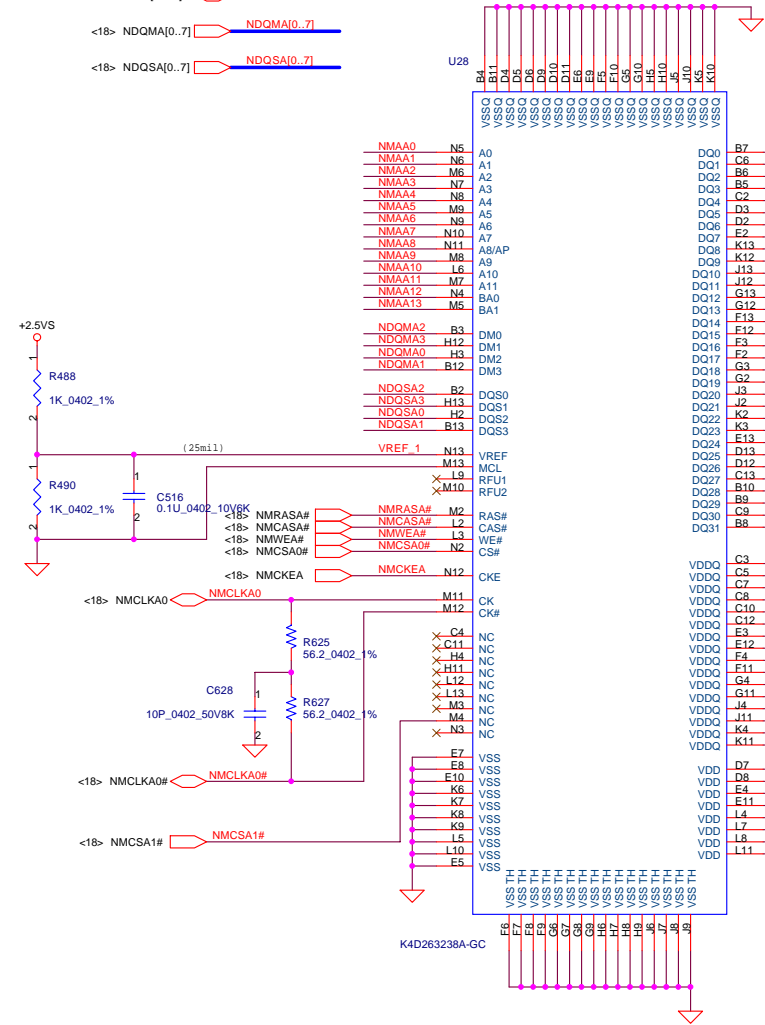
THIS SHEET OF ENGINEERING DRAWING IS THE PROPRIETARY PROPERTY OF COMPAL ELECTRONICS, INC. AND CONTAINS CONFIDENTIAL AND TRADE SECRET INFORMATION. THIS SHEET MAY NOT BE TRANSFERRED FROM THE CUSTODY OF THE COMPETENT DIVISION OF R&D DEPARTMENT EXCEPT AS AUTHORIZED BY COMPAL ELECTRONICS, INC. NEITHER THIS SHEET NOR THE INFORMATION IT CONTAINS MAY BE USED BY OR DISCLOSED TO ANY THIRD PARTY WITHOUT PRIOR WRITTEN CONSENT OF COMPAL ELECTRONICS, INC.

Compal Electronics, Inc.			
Title AT1M10-PM9+X POWER-B			
Size	Document Number	Rev	
	LA-2411	0.1	
Date:	星期三, 七月 07, 2004	Sheet	21 of 65

VGA DDR FOR CHANNEL A



- <18> NMAA[0..13] NMAA[0..13]
- <18> NMDA[0..63] NMDA[0..63]
- <18> NDQMA[0..7] NDQMA[0..7]
- <18> NDQSA[0..7] NDQSA[0..7]



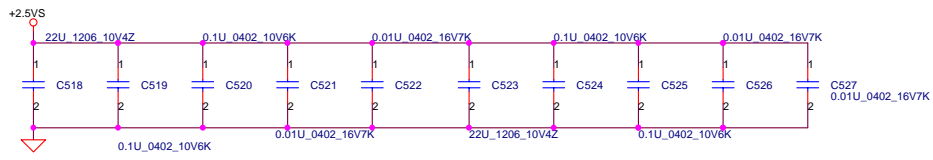
Compal Electronics, Inc.			
VGA DDR FOR CHANNEL A			
Title			
Size	Document Number	Rev	
	LA-2411	0.1	
Date:	星期三, 七月 07, 2004	Sheet	22 of 65

THIS SHEET OF ENGINEERING DRAWING IS THE PROPRIETARY PROPERTY OF COMPAL ELECTRONICS, INC. AND CONTAINS CONFIDENTIAL AND TRADE SECRET INFORMATION. THIS SHEET MAY NOT BE TRANSFERRED FROM THE CUSTODY OF THE COMPETENT DIVISION OF R&D DEPARTMENT EXCEPT AS AUTHORIZED BY COMPAL ELECTRONICS, INC. NEITHER THIS SHEET NOR THE INFORMATION IT CONTAINS MAY BE USED BY OR DISCLOSED TO ANY THIRD PARTY WITHOUT PRIOR WRITTEN CONSENT OF COMPAL ELECTRONICS, INC.

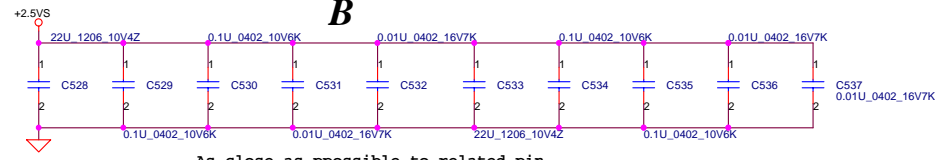
PDF Watermark Remover DEMO : Purchase from www.PDFWatermarkRemover.com to remove the watermark

VGA DDR FOR CHANNEL

B

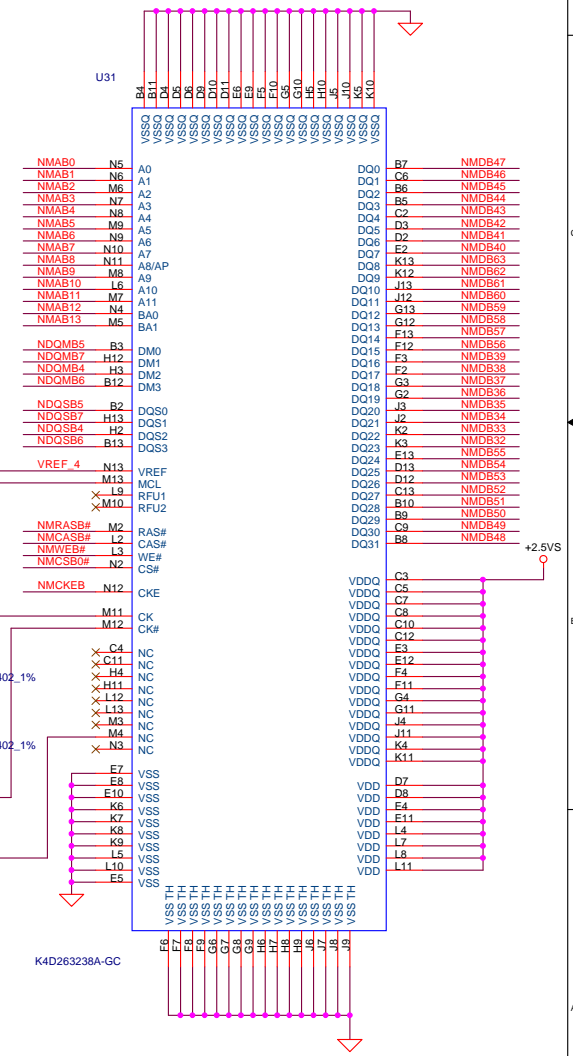
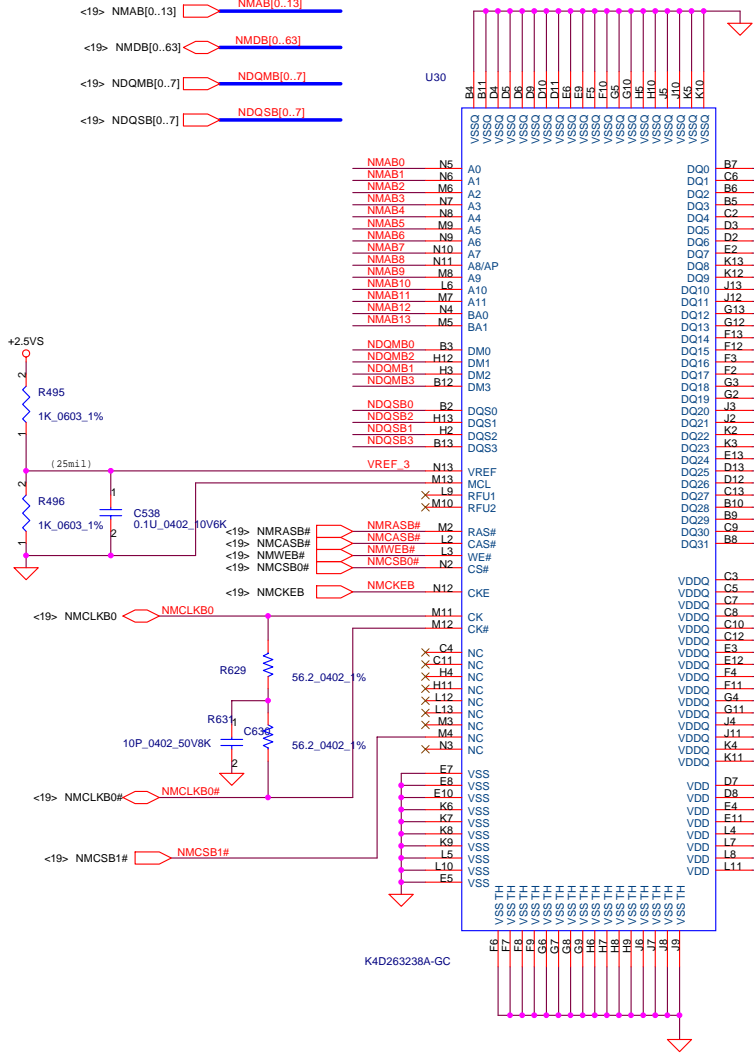


As close as possible to related pin



As close as possible to related pin

- <19> NMAB[0..13] NMAB[0..13]
- <19> NMDB[0..63] NMDB[0..63]
- <19> NDOMB[0..7] NDOMB[0..7]
- <19> NDQSB[0..7] NDQSB[0..7]

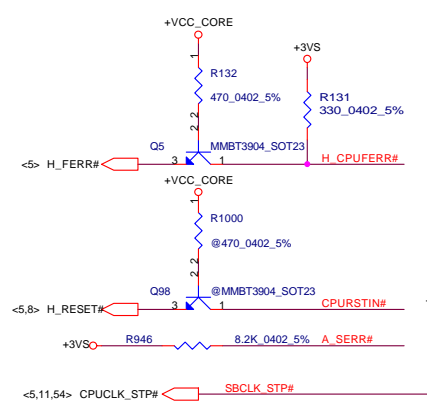


THIS SHEET OF ENGINEERING DRAWING IS THE PROPRIETARY PROPERTY OF COMPAL ELECTRONICS, INC. AND CONTAINS CONFIDENTIAL AND TRADE SECRET INFORMATION. THIS SHEET MAY NOT BE TRANSFERRED FROM THE CUSTODY OF THE COMPETENT DIVISION OF R&D DEPARTMENT EXCEPT AS AUTHORIZED BY COMPAL ELECTRONICS, INC. NEITHER THIS SHEET NOR THE INFORMATION IT CONTAINS MAY BE USED BY OR DISCLOSED TO ANY THIRD PARTY WITHOUT PRIOR WRITTEN CONSENT OF COMPAL ELECTRONICS, INC.

Compal Electronics, Inc.			
VGA DDRFOR CHANNEL B			
Title			
Size	Document Number	Rev	
	LA-2411	0.1	
Date:	星期三, 七月 07, 2004	Sheet	23 of 65

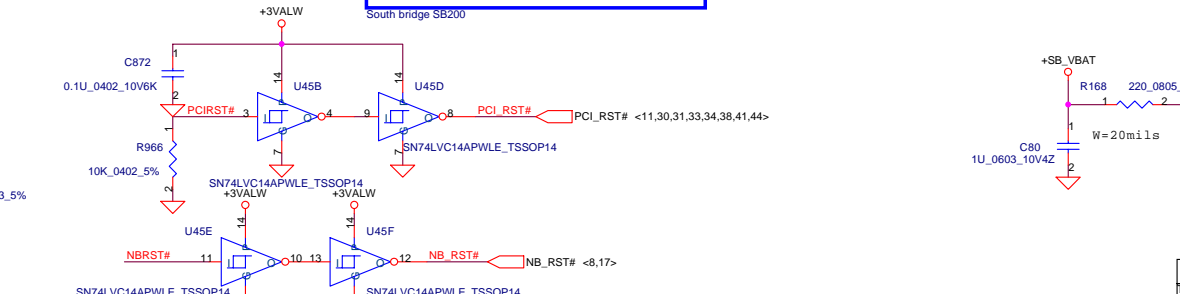
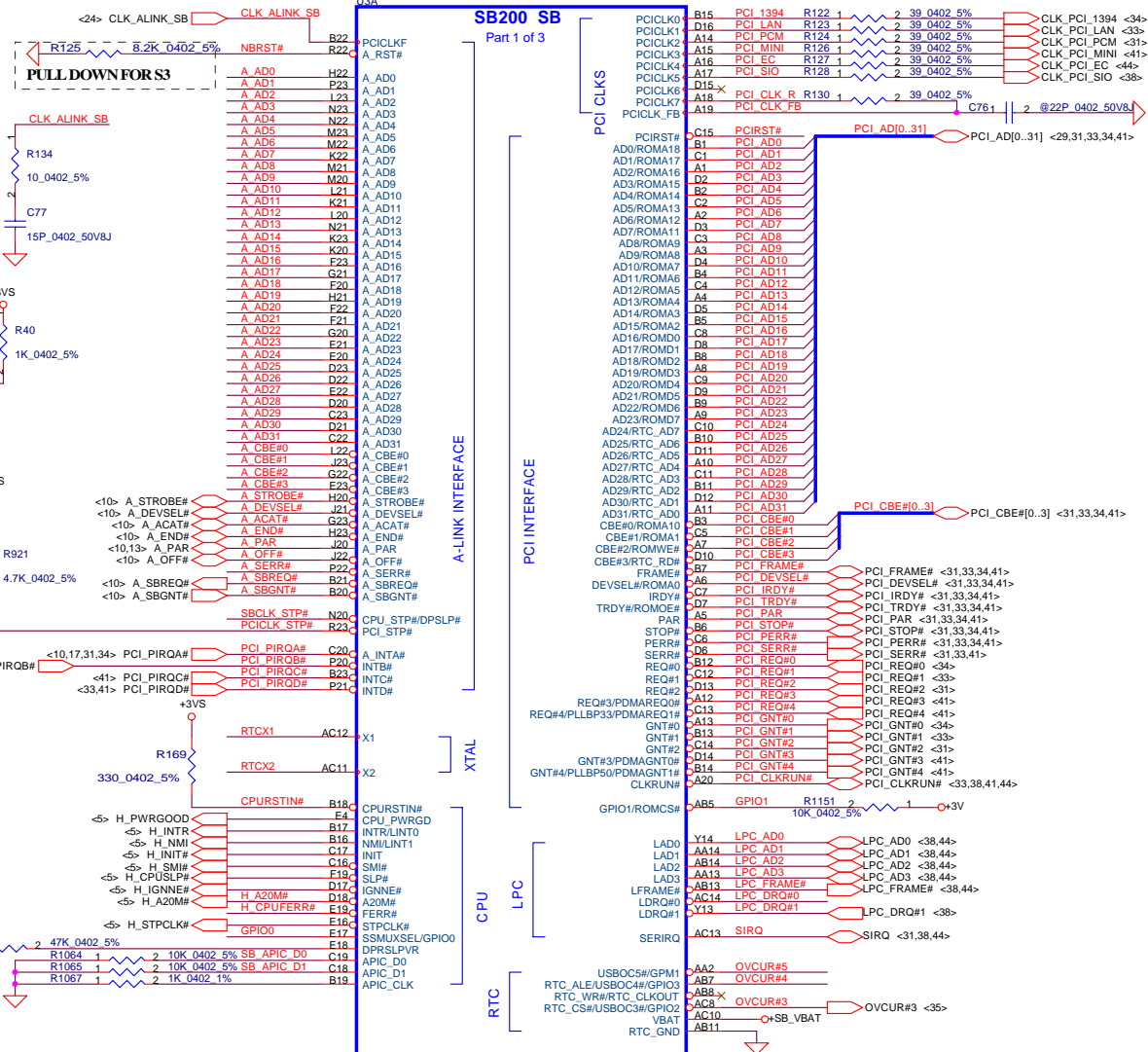
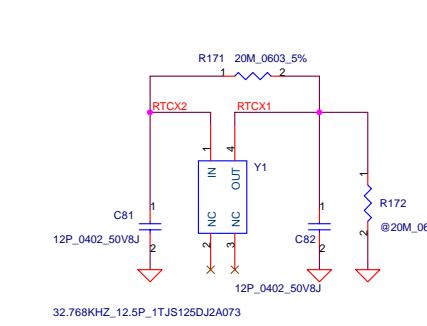
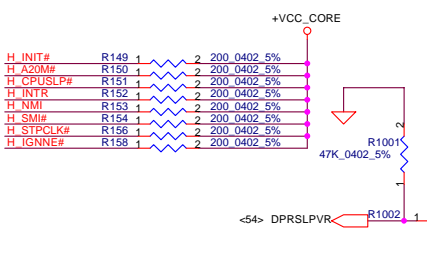
PDF Watermark Remover DEMO : Purchase from www.PDFWatermarkRemover.com to remove the watermark

<10,13> A_AD[0..31] A_AD[0..31]
 <10,13> A_CBE[0..3] A_CBE[0..3]

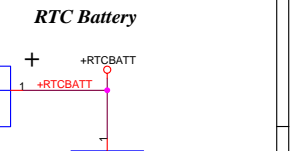
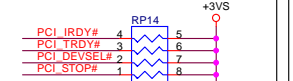


H_PWRGOOD	C1068	2	1	220P_0402_50V7K
H_CPUSLPM#	C1067	2	1	220P_0402_50V7K
H_SMI#	C1066	2	1	220P_0402_50V7K
H_STPCLK#	C1065	2	1	220P_0402_50V7K
H_IGNNE#	C1064	2	1	220P_0402_50V7K
H_A20M#	C956	2	1	220P_0402_50V7K
H_INIT#	C617	2	1	220P_0402_50V7K
H_INTR#	C78	2	1	220P_0402_50V7K
H_NMI	C79	2	1	220P_0402_50V7K

PLACE CLOSE TO CPU SOCKET



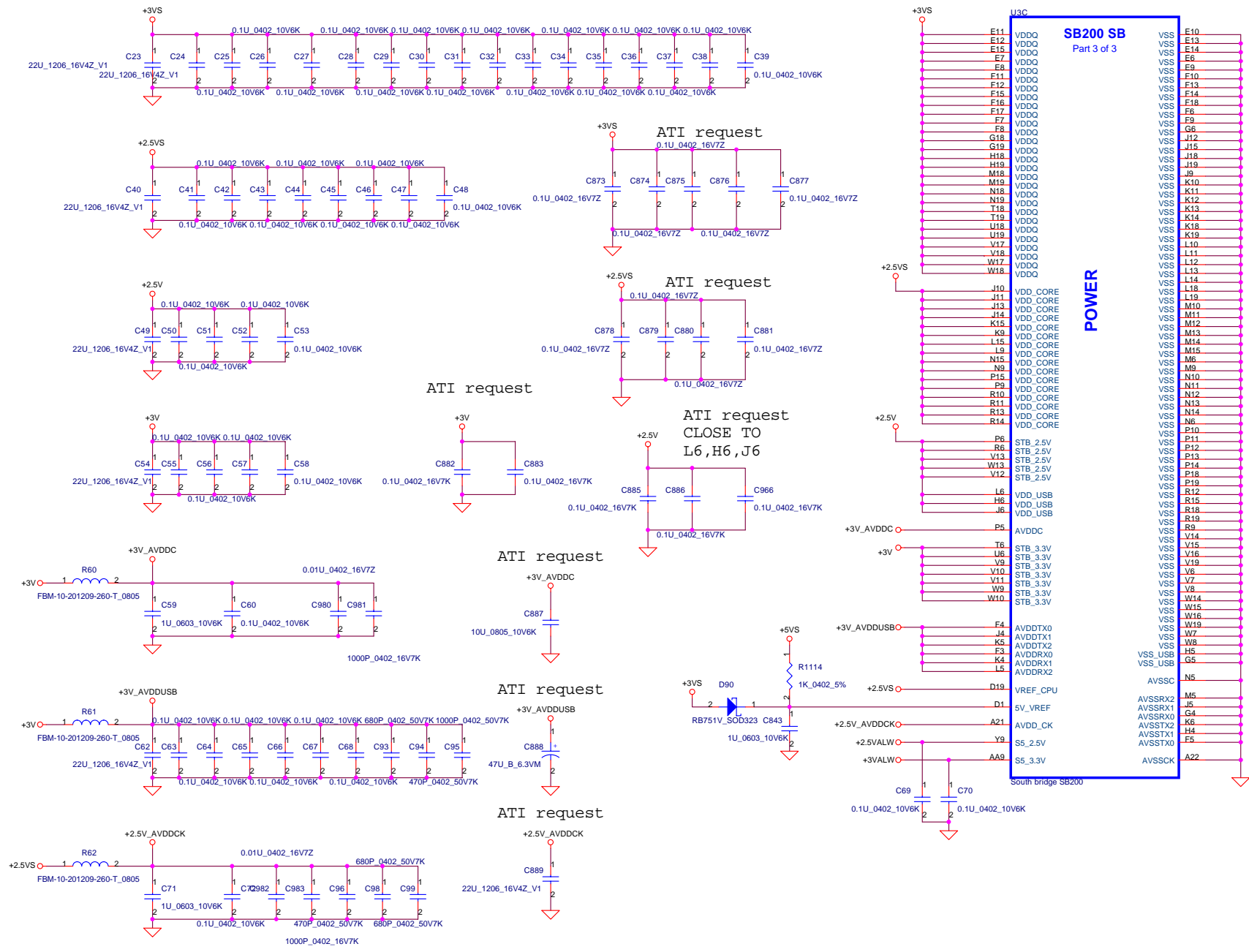
Layout note:
 Trace length of PCI_CLK_R + PCI_CLK_FB should be less than 200 mils.



Place J1 close to DDR-SODIMM

Compal Electronics, Inc.			
SB200M(I/4)-PCI/CPU/LPC			
Title	Doc	Rev	Date
		0.1	2004.07.15
Date: 星期四, 七月 15, 2004 Sheet 26 of 65			

THIS SHEET OF ENGINEERING DRAWING IS THE PROPRIETARY PROPERTY OF COMPAL ELECTRONICS, INC. AND CONTAINS CONFIDENTIAL AND TRADE SECRET INFORMATION. THIS SHEET MAY NOT BE TRANSFERRED TO THE CUSTOMER OR THE COMPETENT DIVISION OF R&D DEPARTMENT EXCEPT AS AUTHORIZED BY COMPAL ELECTRONICS, INC. NEITHER THIS SHEET NOR THE INFORMATION IT CONTAINS MAY BE USED BY OR DISCLOSED TO ANY THIRD PARTY WITHOUT PRIOR WRITTEN CONSENT OF COMPAL ELECTRONICS, INC.



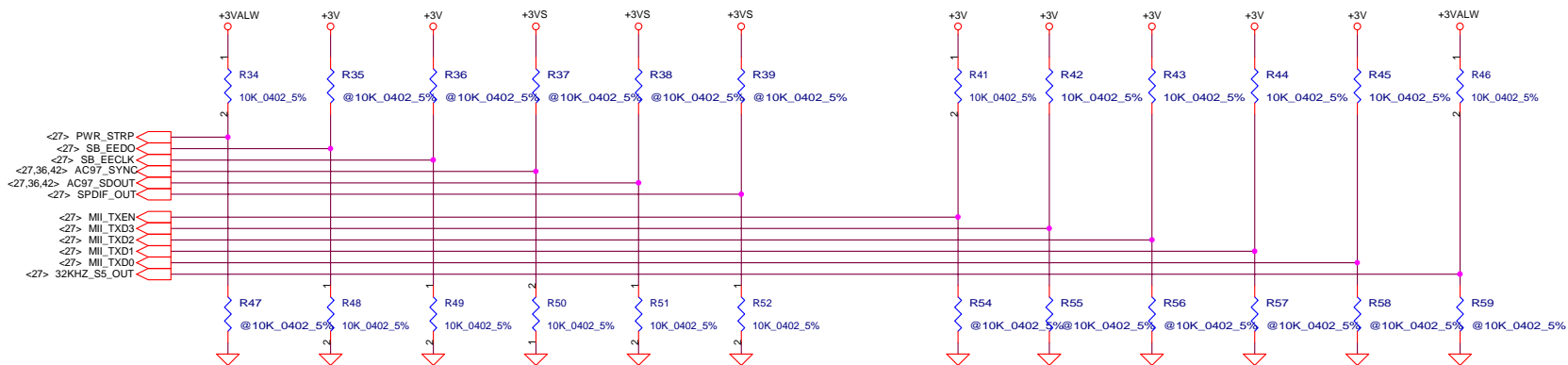
SB200 SB
Part 3 of 3

POWER

South bridge SB200

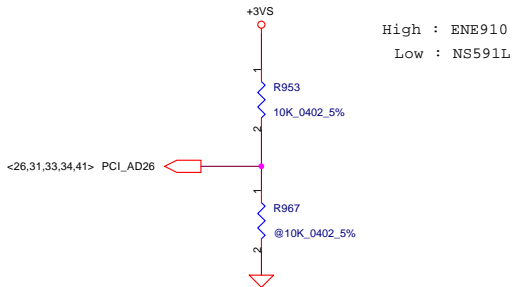
Compal Electronics, Inc.			
Title SB200M(3/4) - PWR			
Size	Document Number	Rev	
	LA-2411	0.1	
Date:	星期三, 七月 07, 2004	Sheet	28 of 65

THIS SHEET OF ENGINEERING DRAWING IS THE PROPRIETARY PROPERTY OF COMPAL ELECTRONICS, INC. AND CONTAINS CONFIDENTIAL AND TRADE SECRET INFORMATION. THIS SHEET MAY NOT BE TRANSFERRED FROM THE CUSTODY OF THE COMPETENT DIVISION OF R&D DEPARTMENT EXCEPT AS AUTHORIZED BY COMPAL ELECTRONICS, INC. NEITHER THIS SHEET NOR THE INFORMATION IT CONTAINS MAY BE USED BY OR DISCLOSED TO ANY THIRD PARTY WITHOUT PRIOR WRITTEN CONSENT OF COMPAL ELECTRONICS, INC.



REQUIRED SYSTEM STRAPS

	PWR_STRP	IGN_DEBUG EEDO	EECK	AC_SYNC	AC_SDOUT	SPDIF_OUT	SPEEDSTEP CPU_STP#	FREQLTCH TX_EN	ETHERNET TXD[3:0]	32KHZ_SS
STRAP HIGH	MANUAL PWR ON DEFAULT	USE DEBUG STRAPS	ROM ON PCI BUS	INIT ACTIVE HIGH	33MHz NB BUS	SIO 24MHz	ENABLE SPEED STEP	DISABLE CPU FREQ SETTING DEFAULT	PROCESSOR FREQ MULTIPLIER	32KHZ OUTPUT FROM SB200 (INT RTC) DEFAULT
STRAP LOW	AUTO PWR ON	IGNORE DEBUG STRAPS DEFAULT	ROM ON LPC BUS DEFAULT	INIT ACTIVE LOW (PIII) DEFAULT	HI SPEED A-LINK DEFAULT	SIO 48MHz DEFAULT	DISABLE SPEED STEP DEFAULT	ENABLE CPU FREQSETTING		32KHZ INPUT TO SB200 (EXT RTC)



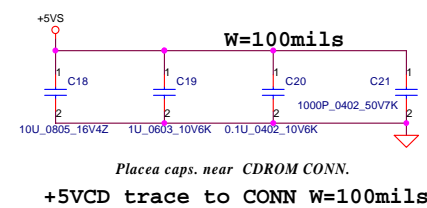
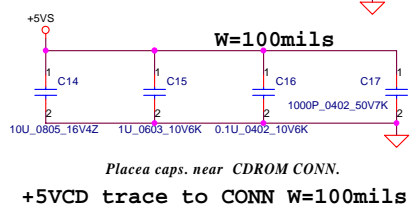
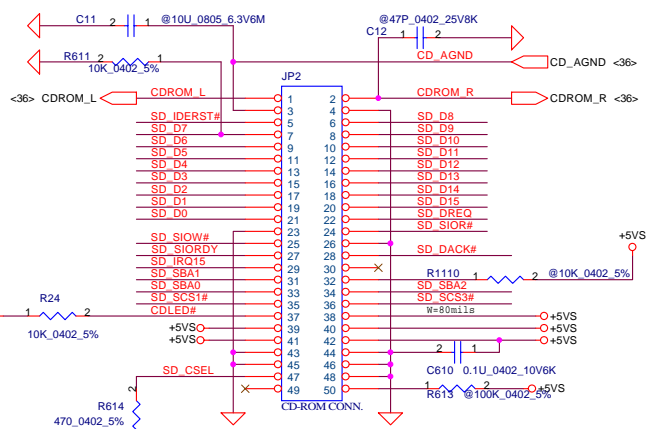
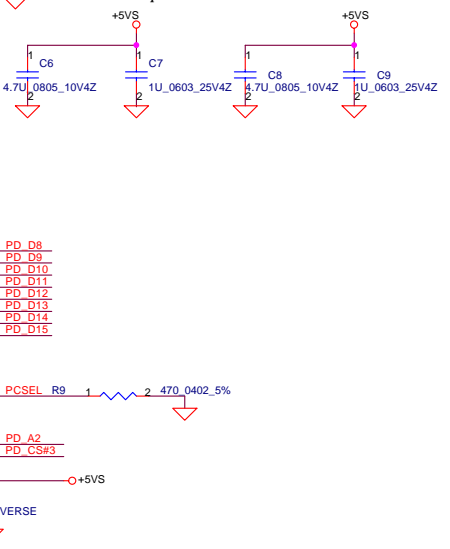
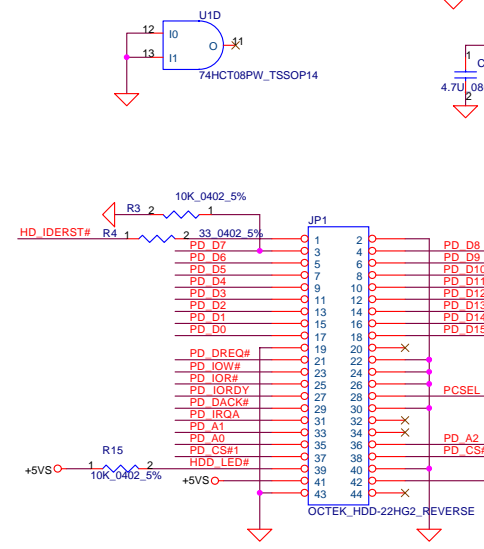
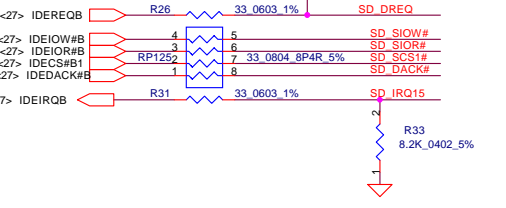
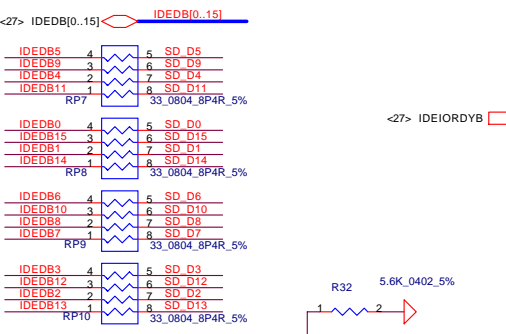
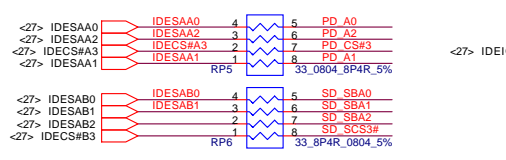
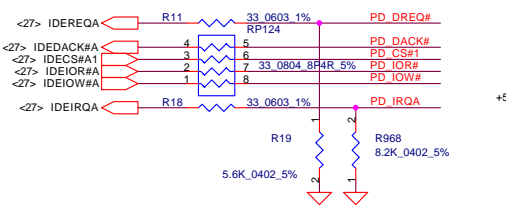
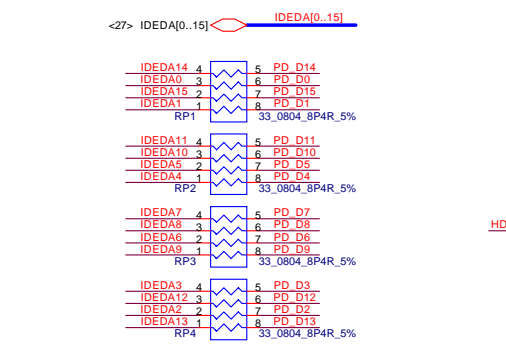
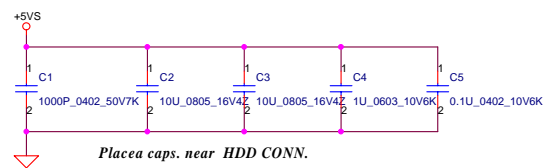
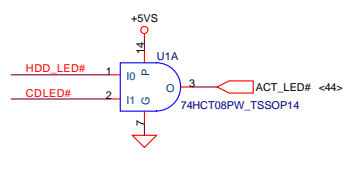
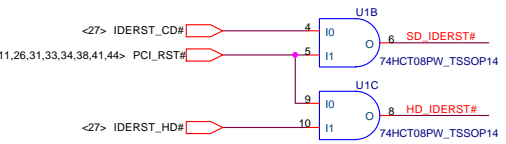
THIS SHEET OF ENGINEERING DRAWING IS THE PROPRIETARY PROPERTY OF COMPAL ELECTRONICS, INC. AND CONTAINS CONFIDENTIAL AND TRADE SECRET INFORMATION. THIS SHEET MAY NOT BE TRANSFERRED FROM THE CUSTODY OF THE COMPETENT DIVISION OF R&D DEPARTMENT EXCEPT AS AUTHORIZED BY COMPAL ELECTRONICS, INC. NEITHER THIS SHEET NOR THE INFORMATION IT CONTAINS MAY BE USED BY OR DISCLOSED TO ANY THIRD PARTY WITHOUT PRIOR WRITTEN CONSENT OF COMPAL ELECTRONICS, INC.

Compal Electronics, Inc.

SB200M(4/4) - STRAPS

Title		
Size	Document Number	Rev
	LA-2411	0.1
Date:	星期三, 七月 07, 2004	Sheet 29 of 65

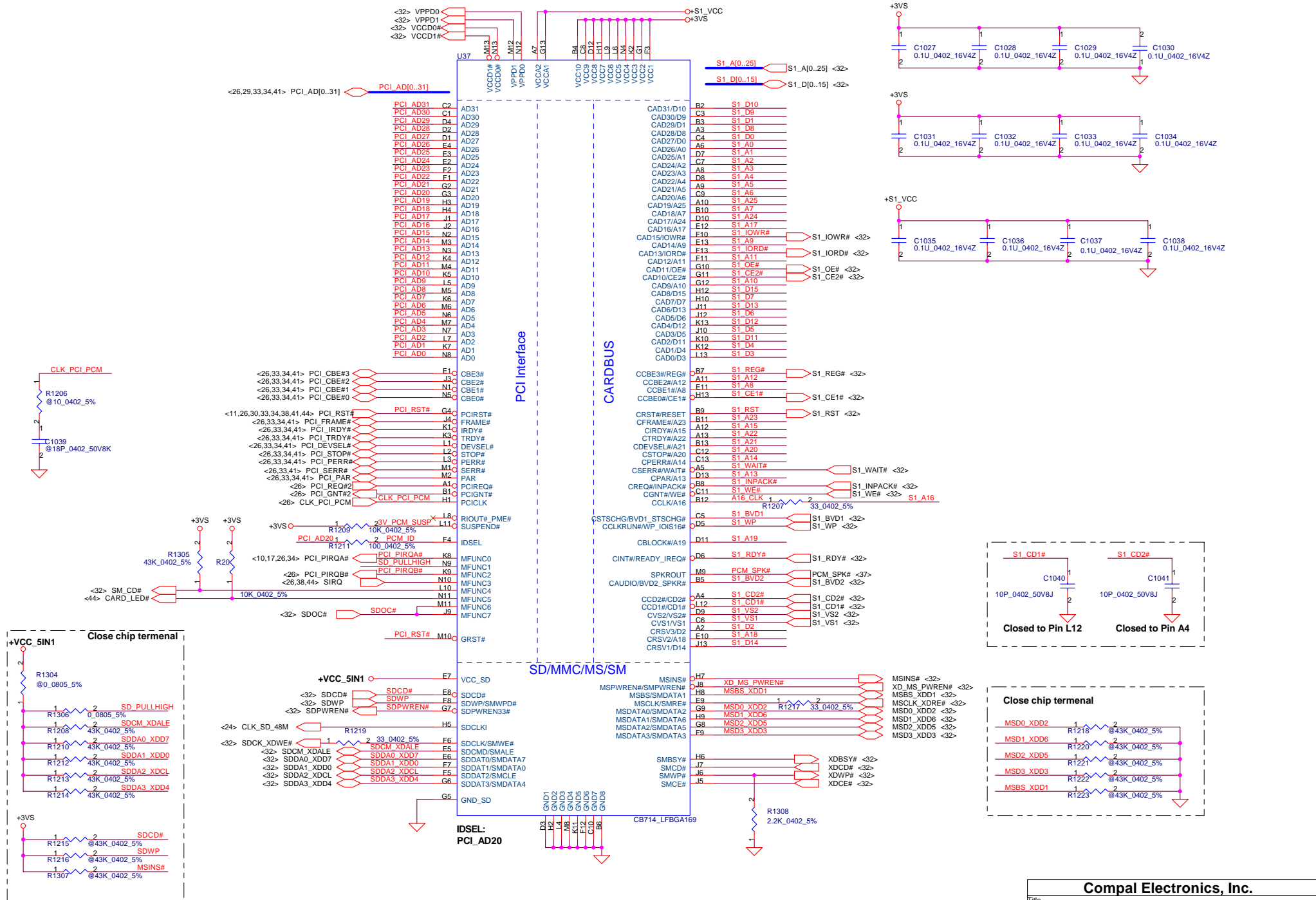
HDD/CD-ROM Module



THIS SHEET OF ENGINEERING DRAWING IS THE PROPRIETARY PROPERTY OF COMPAL ELECTRONICS, INC. AND CONTAINS CONFIDENTIAL AND TRADE SECRET INFORMATION. THIS SHEET MAY NOT BE TRANSFERRED FROM THE CUSTODY OF THE COMPETENT DIVISION OF R&D DEPARTMENT EXCEPT AS AUTHORIZED BY COMPAL ELECTRONICS, INC. NEITHER THIS SHEET NOR THE INFORMATION IT CONTAINS MAY BE USED BY OR DISCLOSED TO ANY THIRD PARTY WITHOUT PRIOR WRITTEN CONSENT OF COMPAL ELECTRONICS, INC.

Compal Electronics, Inc.			
HDD & CDROM Connector			
Size	Document Number	Rev	
	LA-2411	0.1	
Date:	星期三, 七月 07, 2004	Sheet	30 of 65

PDF Watermark Remover DEMO : Purchase from www.PDFWatermarkRemover.com to remove the watermark



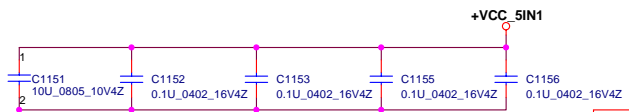
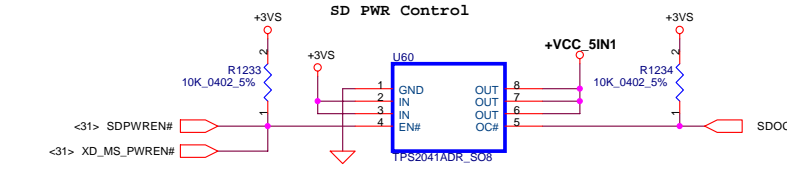
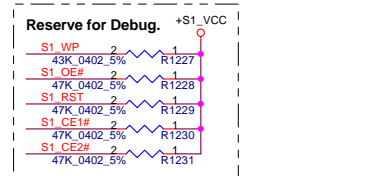
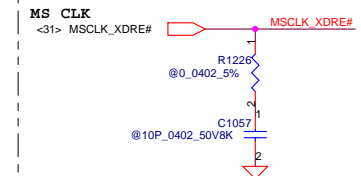
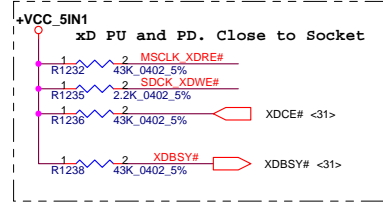
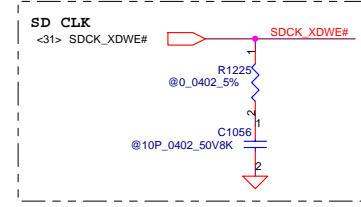
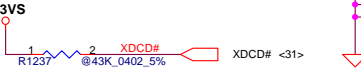
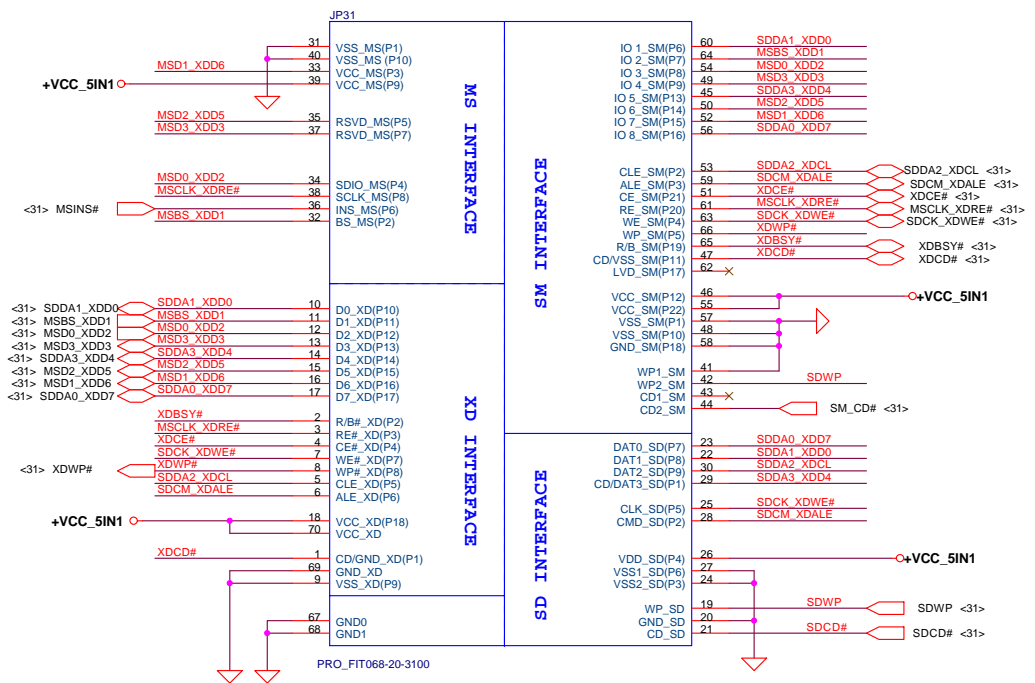
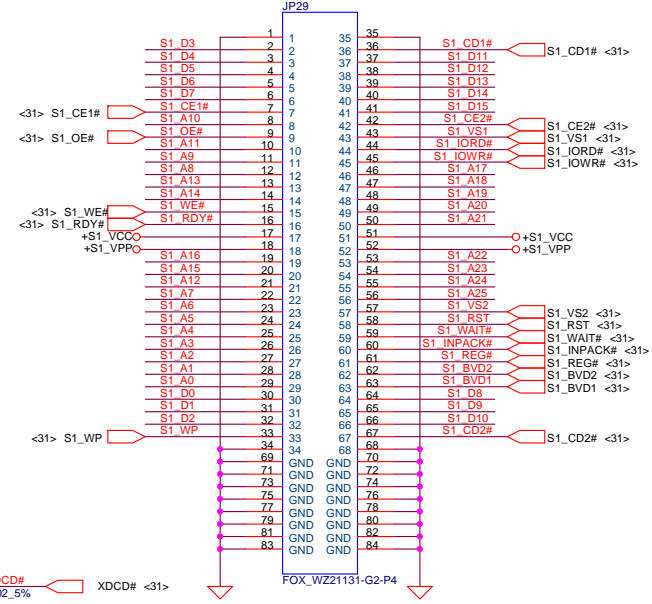
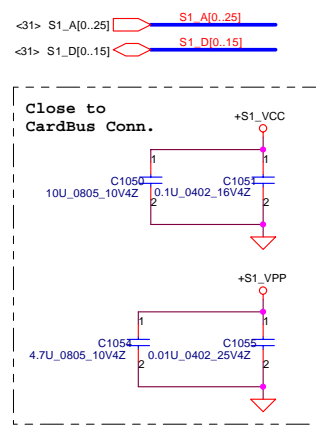
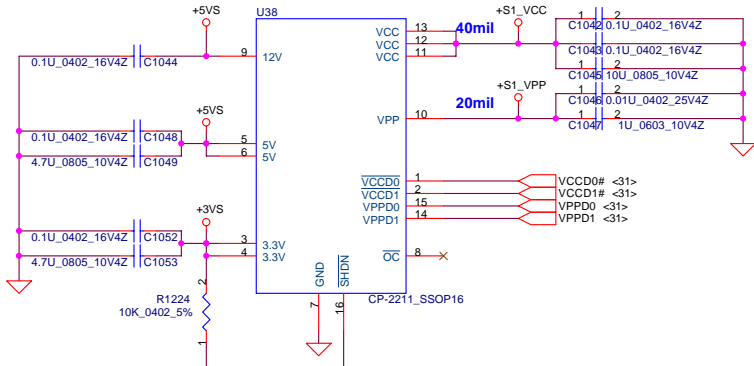
Compal Electronics, Inc.

PCMCIA Controller ENE CB714

Size: Custom Document Number: **LA-2411** Rev: 0.1

Date: 星期三, 七月 07, 2004 Sheet: 31 of 65

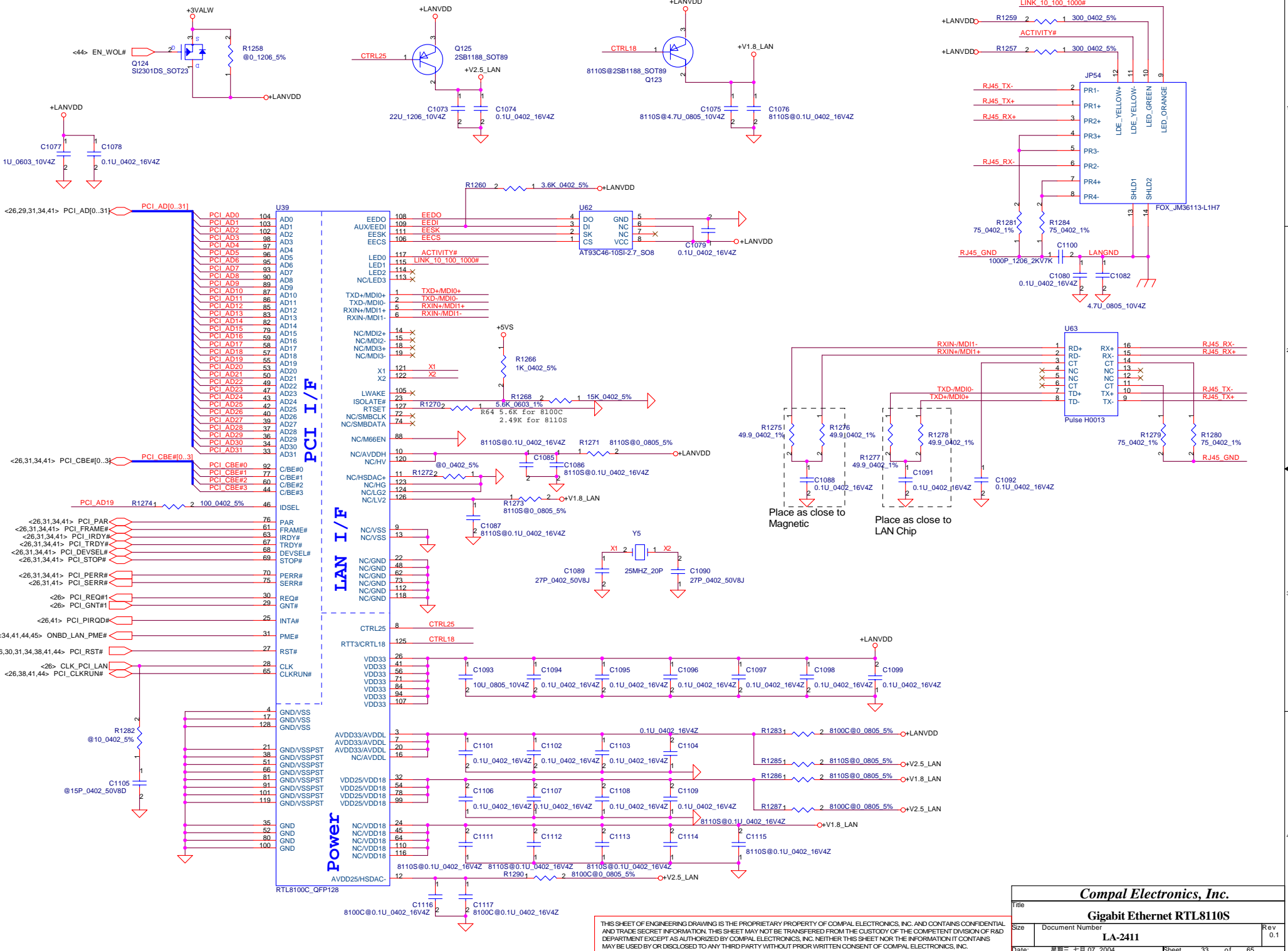
THIS SHEET OF ENGINEERING DRAWING IS THE PROPRIETARY PROPERTY OF COMPAL ELECTRONICS, INC. AND CONTAINS CONFIDENTIAL AND TRADE SECRET INFORMATION. THIS SHEET MAY NOT BE TRANSFERRED FROM THE CUSTODY OF THE COMPETENT DIVISION OF R&D DEPARTMENT EXCEPT AS AUTHORIZED BY COMPAL ELECTRONICS, INC. NEITHER THIS SHEET NOR THE INFORMATION IT CONTAINS MAY BE USED BY OR DISCLOSED TO ANY THIRD PARTY WITHOUT PRIOR WRITTEN CONSENT OF COMPAL ELECTRONICS, INC.



Compal Electronics, Inc.		
Title PCMCIA Socket		
Size Custom	Document Number LA-2411	Rev 0.1
Date 星期三, 七月 07, 2004	Sheet 32	of 65

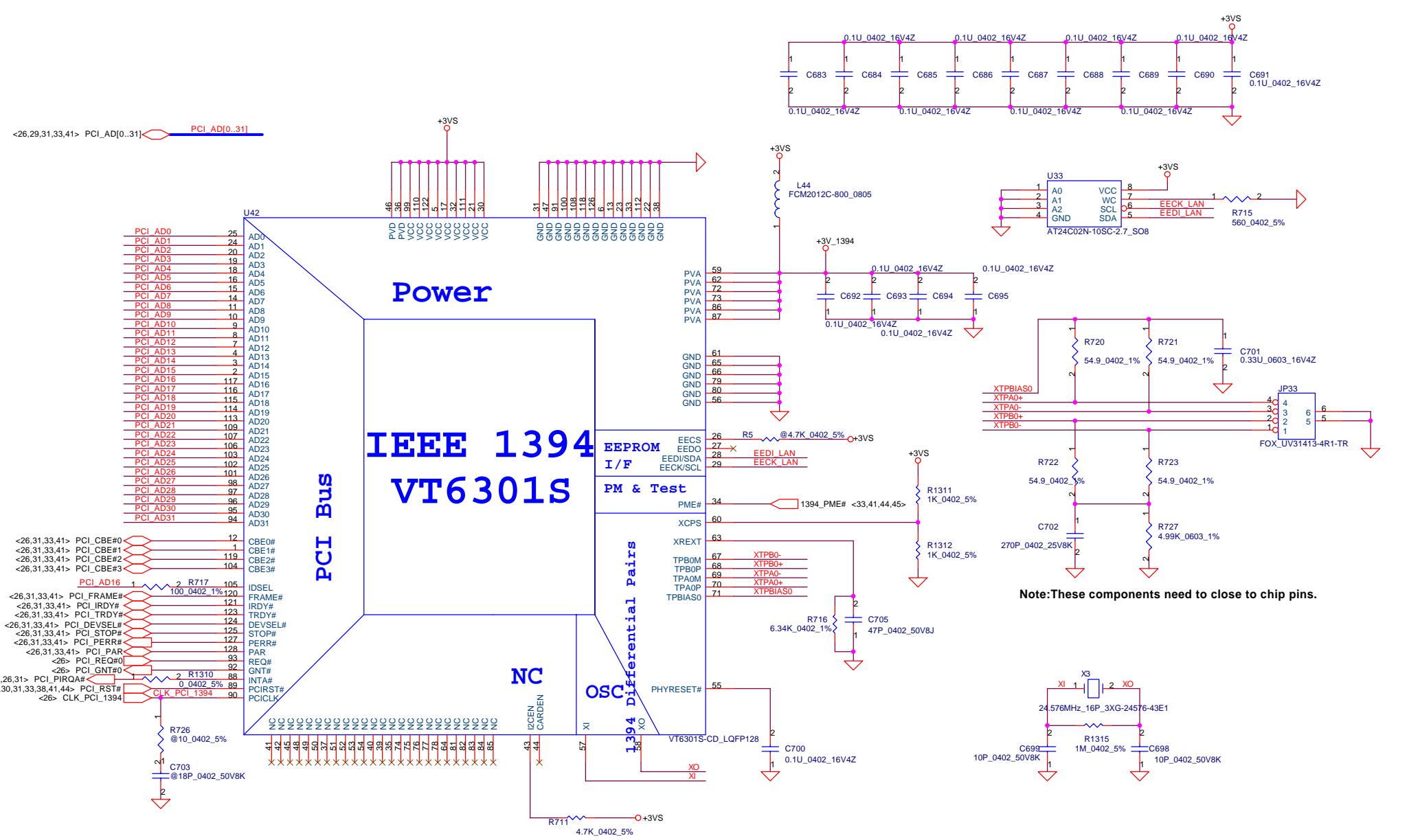
THIS SHEET OF ENGINEERING DRAWING IS THE PROPRIETARY PROPERTY OF COMPAL ELECTRONICS, INC. AND CONTAINS CONFIDENTIAL AND TRADE SECRET INFORMATION. THIS SHEET MAY NOT BE TRANSFERRED FROM THE CUSTODY OF THE COMPETENT DIVISION OF R&D DEPARTMENT EXCEPT AS AUTHORIZED BY COMPAL ELECTRONICS, INC. NEITHER THIS SHEET NOR THE INFORMATION IT CONTAINS MAY BE USED BY OR DISCLOSED TO ANY THIRD PARTY WITHOUT PRIOR WRITTEN CONSENT OF COMPAL ELECTRONICS, INC.

PDF Watermark Remover DEMO : Purchase from www.PDFWatermarkRemover.com to remove the watermark



THIS SHEET OF ENGINEERING DRAWING IS THE PROPRIETARY PROPERTY OF COMPAL ELECTRONICS, INC. AND CONTAINS CONFIDENTIAL AND TRADE SECRET INFORMATION. THIS SHEET MAY NOT BE TRANSFERRED FROM THE CUSTODY OF THE COMPETENT DIVISION OF R&D DEPARTMENT EXCEPT AS AUTHORIZED BY COMPAL ELECTRONICS, INC. NEITHER THIS SHEET NOR THE INFORMATION IT CONTAINS MAY BE USED BY OR DISCLOSED TO ANY THIRD PARTY WITHOUT PRIOR WRITTEN CONSENT OF COMPAL ELECTRONICS, INC.

Compal Electronics, Inc.		
Gigabit Ethernet RTL8105S		
LA-2411		
Title	Document Number	Rev
		0.1
Date: 星期三, 七月 07, 2004	Sheet 33	of 65



<26,29,31,33,41> PCI_AD[0..31] PCI_AD[0..31]

<26,31,33,41> PCI_CBE#0 CBE0#
 <26,31,33,41> PCI_CBE#1 CBE1#
 <26,31,33,41> PCI_CBE#2 CBE2#
 <26,31,33,41> PCI_CBE#3 CBE3#

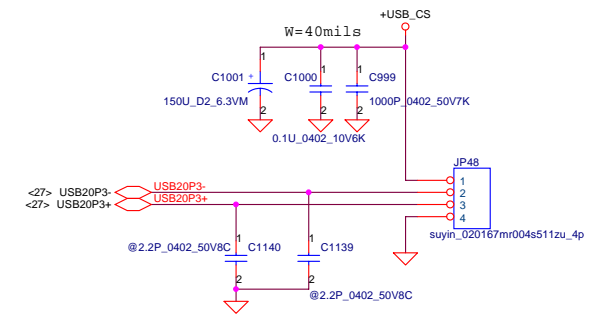
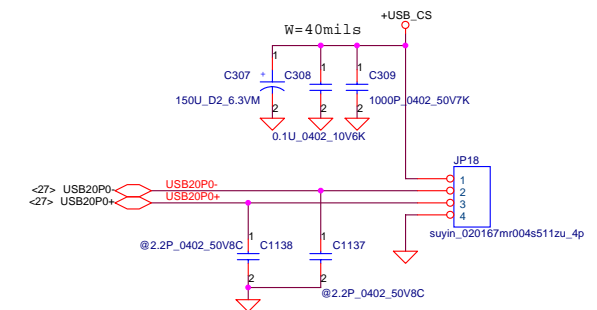
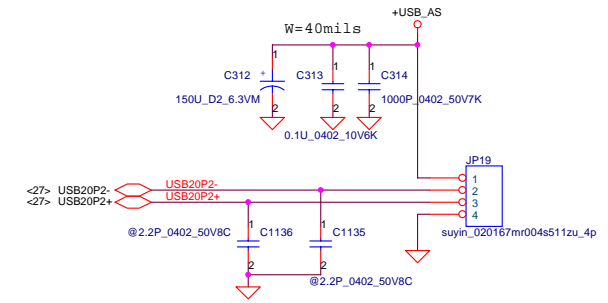
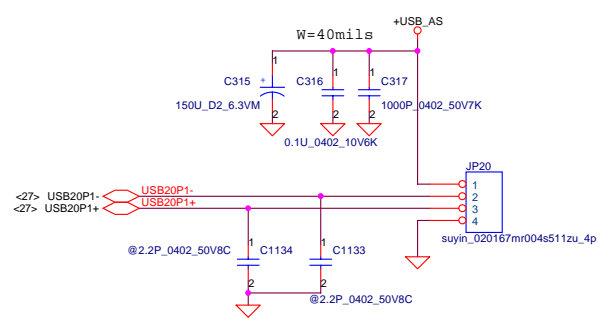
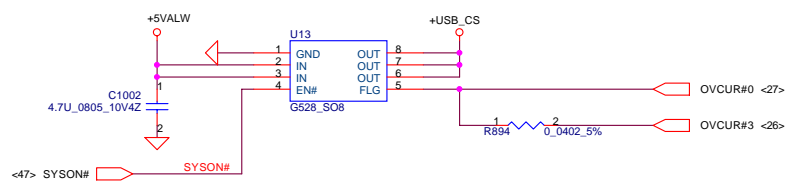
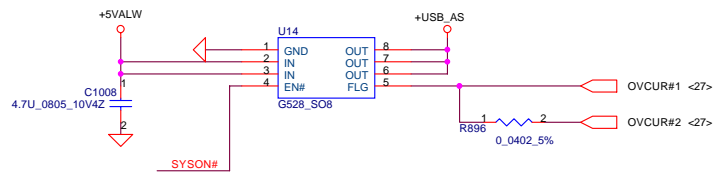
PCI_AD16 1 R717 105
 <26,31,33,41> PCI_FRAME# 120
 <26,31,33,41> PCI_IRDY# 121
 <26,31,33,41> PCI_TRDY# 122
 <26,31,33,41> PCI_DEVSEL# 125
 <26,31,33,41> PCI_STOP# 127
 <26,31,33,41> PCI_PERR# 128
 <26,31,33,41> PCI_PAR 93
 <26> PCI_REQ#0 92
 <26> PCI_GNT#0 85
 <10,17,26,31> PCI_PIRQA# 89
 <11,26,30,31,33,38,41,44> PCI_RST# 89
 <26> CLK_PCI_1394 90

R726 @10_0402_5%
 C703 @18P_0402_50V8K

NC X1 X2 X3 X4 X5 X6 X7 X8 X9 X10 X11 X12 X13 X14 X15 X16 X17 X18 X19 X20 X21 X22 X23 X24 X25 X26 X27 X28 X29 X30 X31 X32 X33 X34 X35 X36 X37 X38 X39 X40 X41 X42 X43 X44 X45 X46 X47 X48 X49 X50 X51 X52 X53 X54 X55 X56 X57 X58 X59 X60 X61 X62 X63 X64 X65 X66 X67 X68 X69 X70 X71 X72 X73 X74 X75 X76 X77 X78 X79 X80 X81 X82 X83 X84 X85 X86 X87 X88 X89 X90 X91 X92 X93 X94 X95 X96 X97 X98 X99 X100

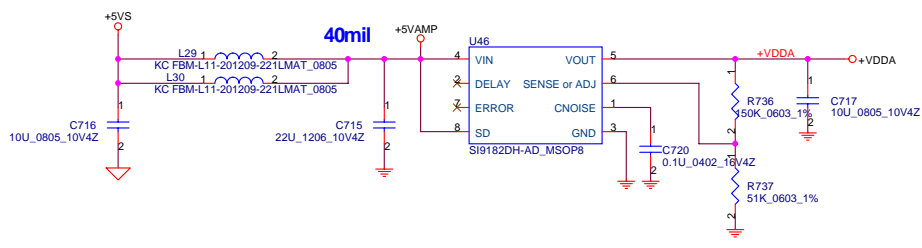
Compal Electronics, Inc.		
Title IEEE 1394 CONTROLLER		
Size	Document Number LA-2411	Rev 0.1
Date:	星期三, 七月 07, 2004	Sheet 34 of 65

THIS SHEET OF ENGINEERING DRAWING IS THE PROPRIETARY PROPERTY OF COMPAL ELECTRONICS, INC. AND CONTAINS CONFIDENTIAL AND TRADE SECRET INFORMATION. THIS SHEET MAY NOT BE TRANSFERRED FROM THE CUSTODY OF THE COMPETENT DIVISION OF R&D DEPARTMENT EXCEPT AS AUTHORIZED BY COMPAL ELECTRONICS, INC. NEITHER THIS SHEET NOR THE INFORMATION IT CONTAINS MAY BE USED BY OR DISCLOSED TO ANY THIRD PARTY WITHOUT PRIOR WRITTEN CONSENT OF COMPAL ELECTRONICS, INC.

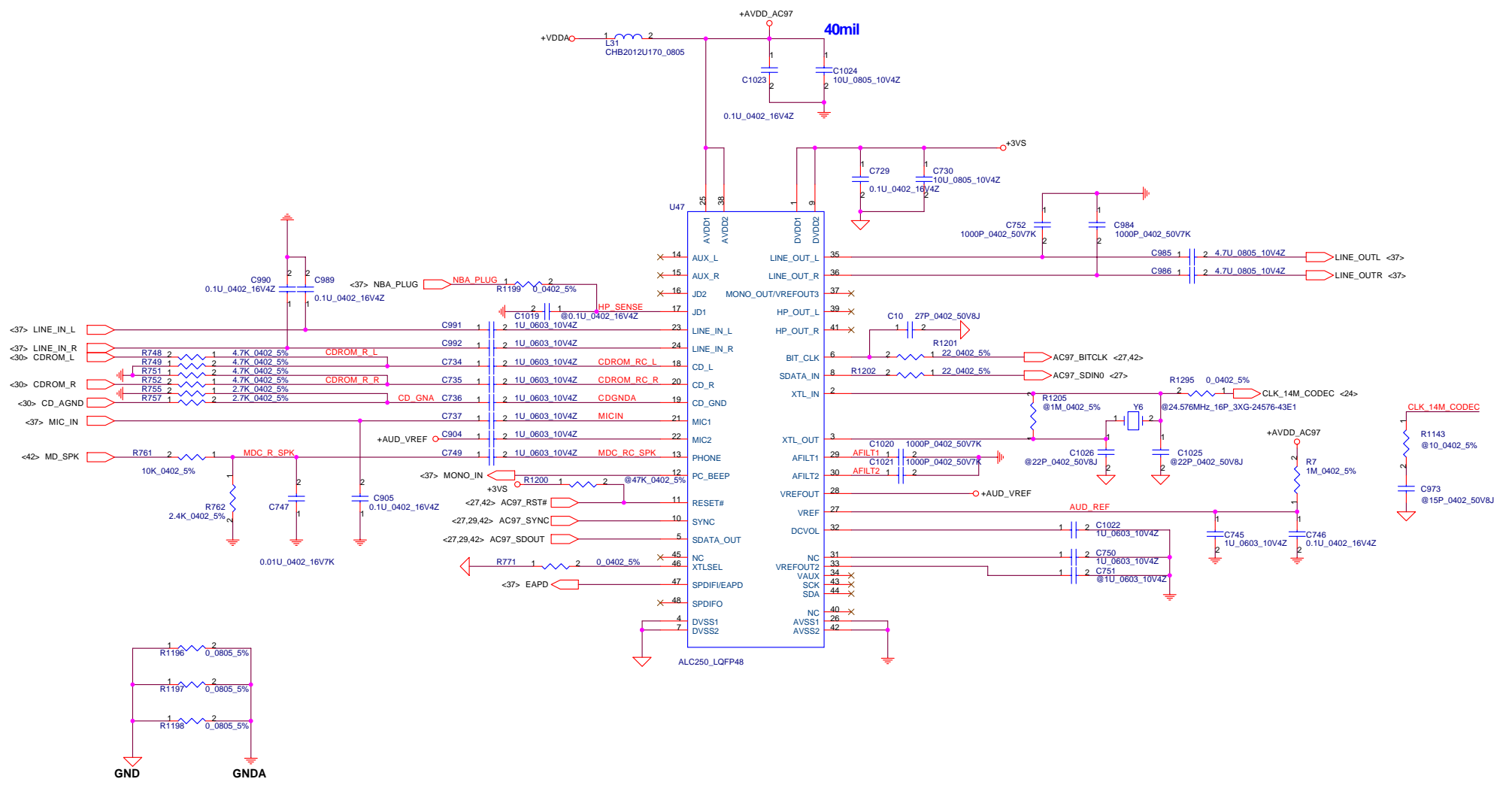
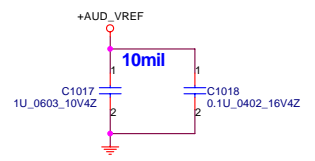


THIS SHEET OF ENGINEERING DRAWING IS THE PROPRIETARY PROPERTY OF COMPAL ELECTRONICS, INC. AND CONTAINS CONFIDENTIAL AND TRADE SECRET INFORMATION. THIS SHEET MAY NOT BE TRANSFERRED FROM THE CUSTODY OF THE COMPETENT DIVISION OF R&D DEPARTMENT EXCEPT AS AUTHORIZED BY COMPAL ELECTRONICS, INC. NEITHER THIS SHEET NOR THE INFORMATION IT CONTAINS MAY BE USED BY OR DISCLOSED TO ANY THIRD PARTY WITHOUT PRIOR WRITTEN CONSENT OF COMPAL ELECTRONICS, INC.

Compal Electronics, Inc.		
USB2.0 Connector		
Size	Document Number	Rev
	LA-2411	0.1
Date:	星期三, 七月 07, 2004	Sheet 35 of 65

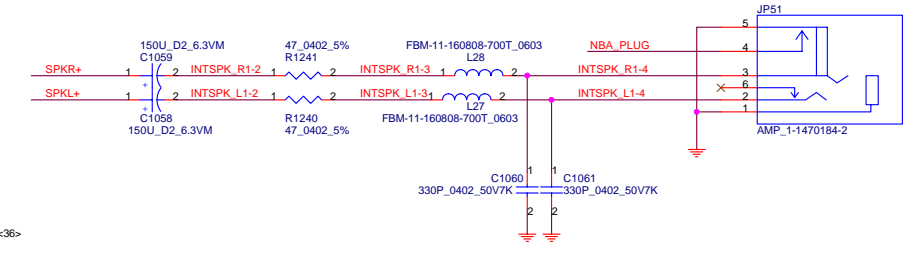
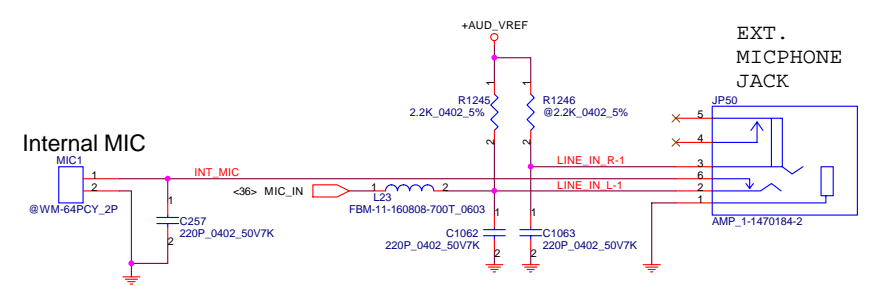
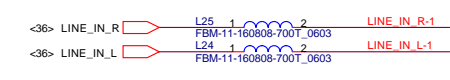
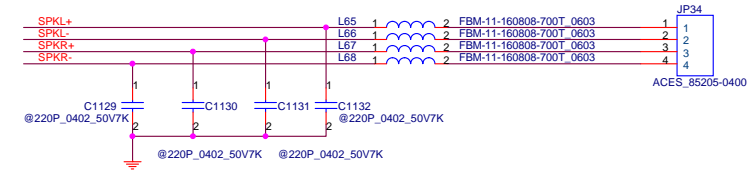
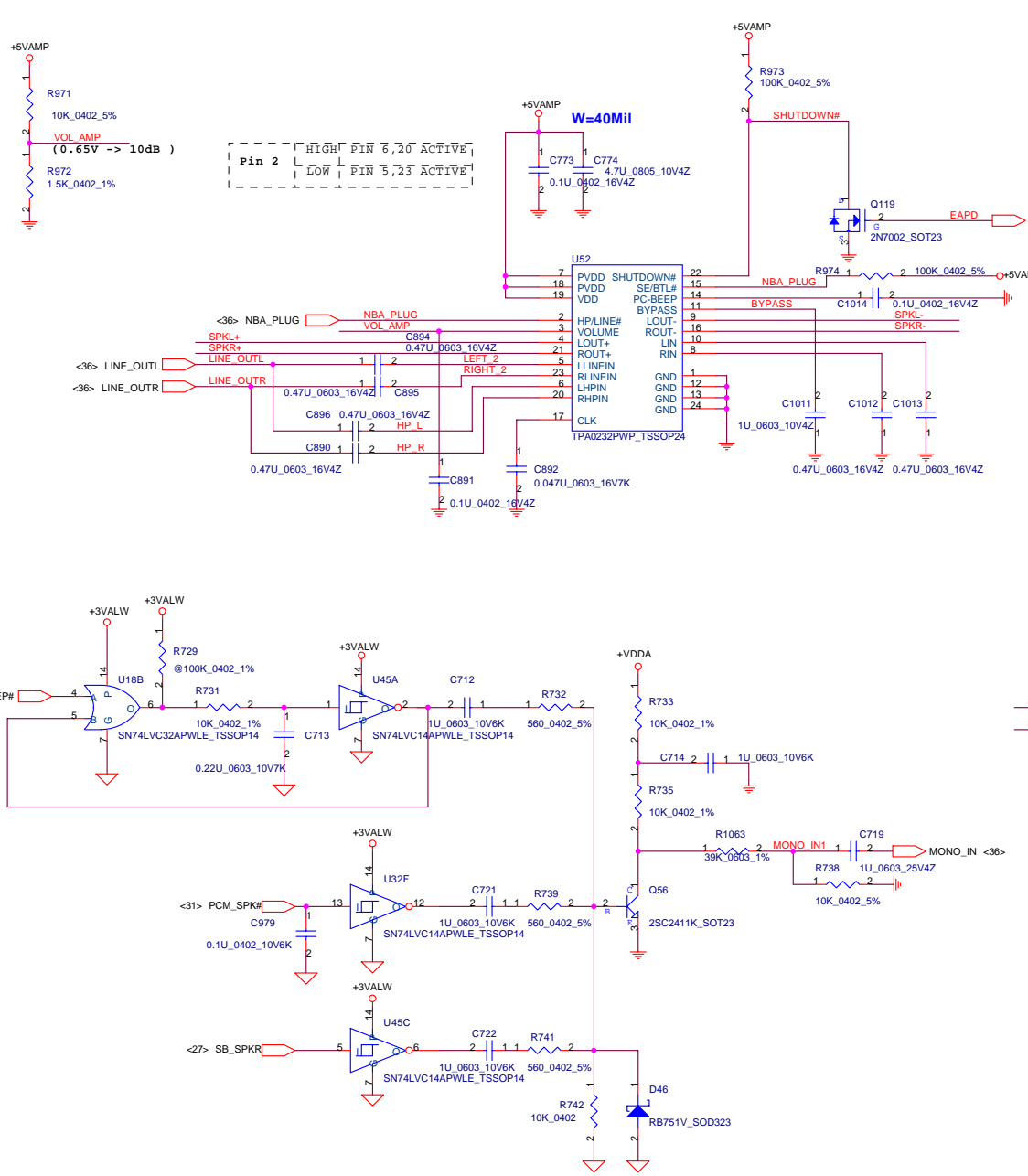


R771	MODE
Stuff	14.318MHz External
No-Stuff	24.576MHz Crystal or External Colck



Compal Electronics, Inc.			
Title AC97 CODEC			
Size	Document Number	Rev	
	LA-2411	0.1	
Custom	Date	Sheet	of
	星期三, 七月 07, 2004	36	65

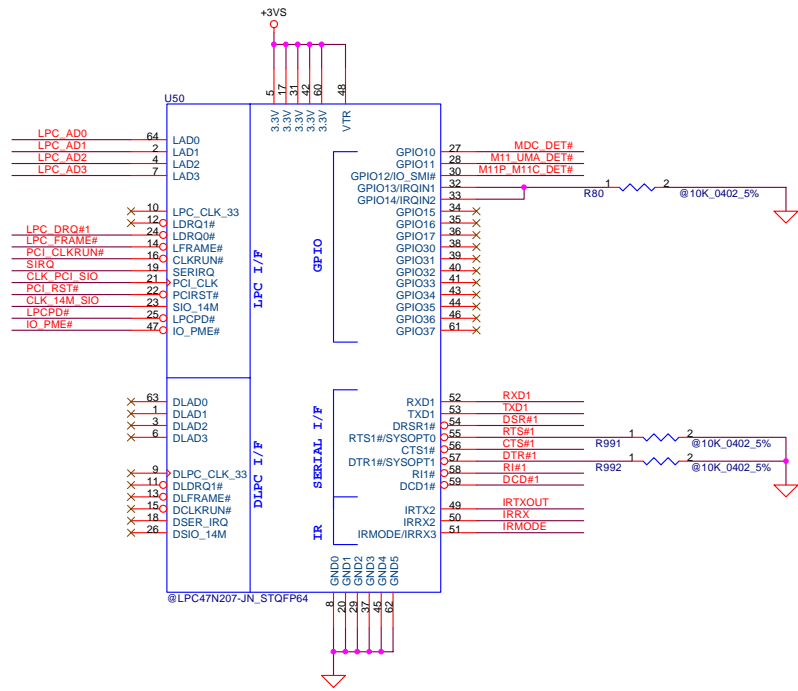
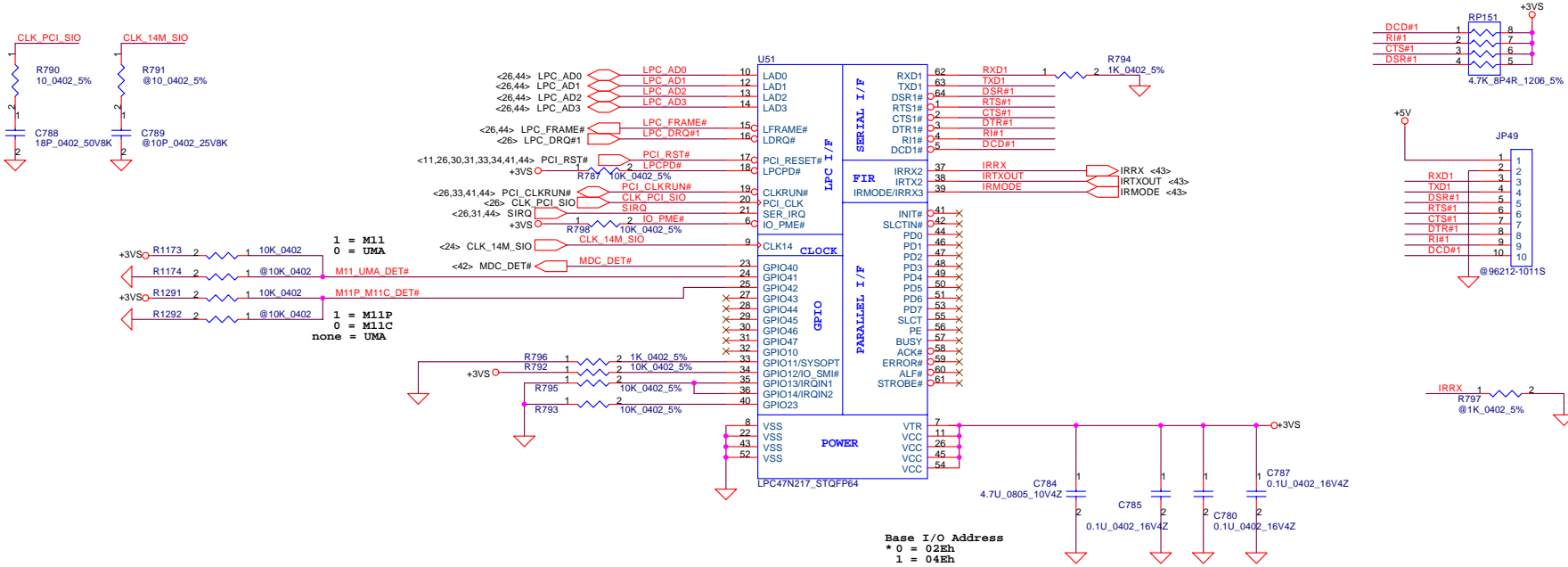
THIS SHEET OF ENGINEERING DRAWING IS THE PROPRIETARY PROPERTY OF COMPAL ELECTRONICS, INC. AND CONTAINS CONFIDENTIAL AND TRADE SECRET INFORMATION. THIS SHEET MAY NOT BE TRANSFERRED FROM THE CUSTODY OF THE COMPETENT DIVISION OF R&D DEPARTMENT EXCEPT AS AUTHORIZED BY COMPAL ELECTRONICS, INC. NEITHER THIS SHEET NOR THE INFORMATION IT CONTAINS MAY BE USED BY OR DISCLOSED TO ANY THIRD PARTY WITHOUT PRIOR WRITTEN CONSENT OF COMPAL ELECTRONICS, INC.



THIS SHEET OF ENGINEERING DRAWING IS THE PROPRIETARY PROPERTY OF COMPAL ELECTRONICS, INC. AND CONTAINS CONFIDENTIAL AND TRADE SECRET INFORMATION. THIS SHEET MAY NOT BE TRANSFERRED FROM THE CUSTODY OF THE COMPETENT DIVISION OF R&D DEPARTMENT EXCEPT AS AUTHORIZED BY COMPAL ELECTRONICS, INC. NEITHER THIS SHEET NOR THE INFORMATION IT CONTAINS MAY BE USED BY OR DISCLOSED TO ANY THIRD PARTY WITHOUT PRIOR WRITTEN CONSENT OF COMPAL ELECTRONICS, INC.

Compal Electronics, Inc.		
AMP & Audio Jack		
Title		
Size	Document Number	Rev
	LA-2411	0.1
Date:	星期三, 七月 07, 2004	Sheet 37 of 65

SUPER I/O SMC FDC47N217

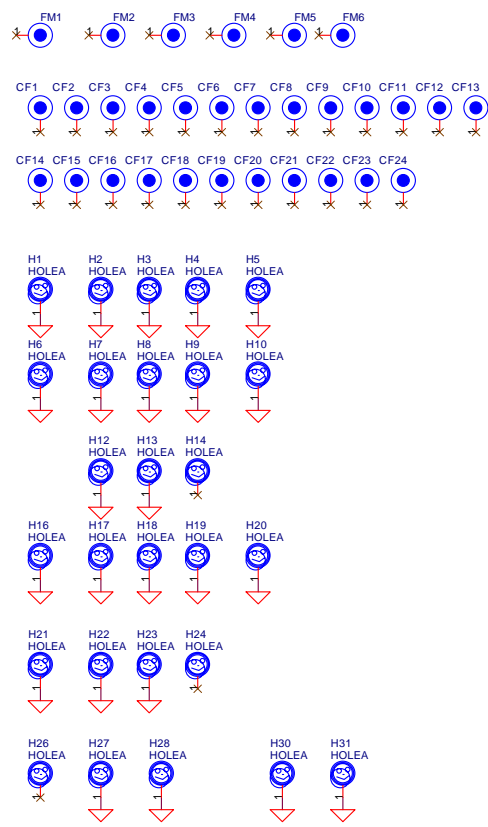


Compal Electronics, Inc.	
Title LPC SUPER I/O VIA VT1211	
Size	Document Number LA-2411
Date	Rev 0.1
星期三, 七月 07, 2004	Sheet 38 of 65

THIS SHEET OF ENGINEERING DRAWING IS THE PROPRIETARY PROPERTY OF COMPAL ELECTRONICS, INC. AND CONTAINS CONFIDENTIAL AND TRADE SECRET INFORMATION. THIS SHEET MAY NOT BE TRANSFERRED FROM THE CUSTODY OF THE COMPETENT DIVISION OF R&D DEPARTMENT EXCEPT AS AUTHORIZED BY COMPAL ELECTRONICS, INC. NEITHER THIS SHEET NOR THE INFORMATION IT CONTAINS MAY BE USED BY OR DISCLOSED TO ANY THIRD PARTY WITHOUT PRIOR WRITTEN CONSENT OF COMPAL ELECTRONICS, INC.

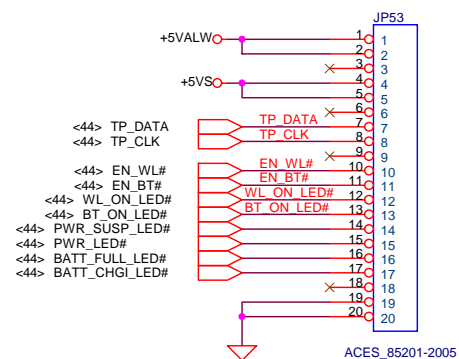
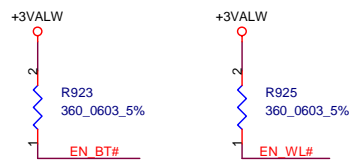
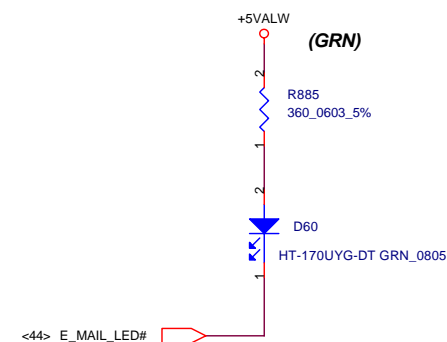
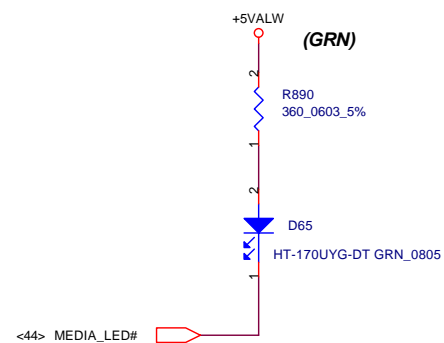
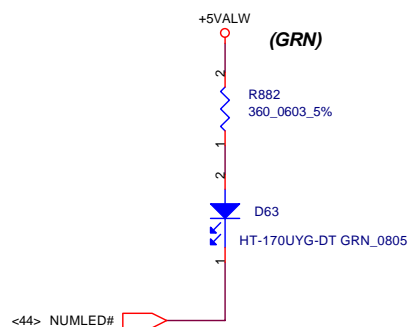
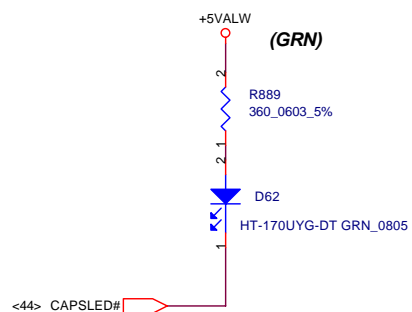
PDF Watermark Remover DEMO : Purchase from www.PDFWatermarkRemover.com to remove the watermark

EMI Clip PAD



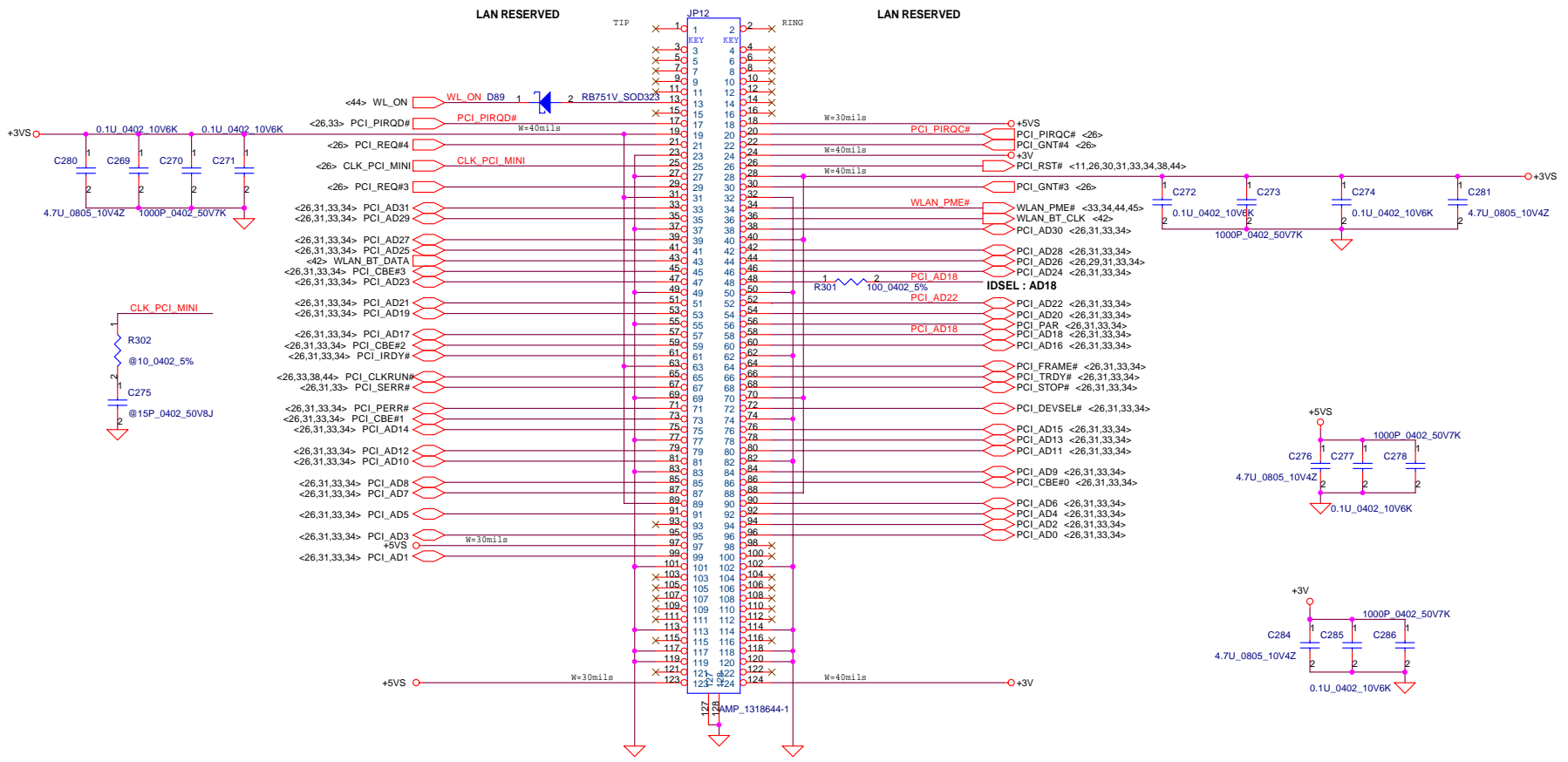
THIS SHEET OF ENGINEERING DRAWING IS THE PROPRIETARY PROPERTY OF COMPAL ELECTRONICS, INC. AND CONTAINS CONFIDENTIAL AND TRADE SECRET INFORMATION. THIS SHEET MAY NOT BE TRANSFERRED FROM THE CUSTODY OF THE COMPETENT DIVISION OF R&D DEPARTMENT EXCEPT AS AUTHORIZED BY COMPAL ELECTRONICS, INC. NEITHER THIS SHEET NOR THE INFORMATION IT CONTAINS MAY BE USED BY OR DISCLOSED TO ANY THIRD PARTY WITHOUT PRIOR WRITTEN CONSENT OF COMPAL ELECTRONICS, INC.

Compal Electronics, Inc.		
Title SPR Connector		
Size	Document Number LA-2411	Rev 0.1
Date:	星期三, 七月 07, 2004	Sheet 39 of 65



THIS SHEET OF ENGINEERING DRAWING IS THE PROPRIETARY PROPERTY OF COMPAL ELECTRONICS, INC. AND CONTAINS CONFIDENTIAL AND TRADE SECRET INFORMATION. THIS SHEET MAY NOT BE TRANSFERRED FROM THE CUSTODY OF THE COMPETENT DIVISION OF R&D DEPARTMENT EXCEPT AS AUTHORIZED BY COMPAL ELECTRONICS, INC. NEITHER THIS SHEET NOR THE INFORMATION IT CONTAINS MAY BE USED BY OR DISCLOSED TO ANY THIRD PARTY WITHOUT PRIOR WRITTEN CONSENT OF COMPAL ELECTRONICS, INC.

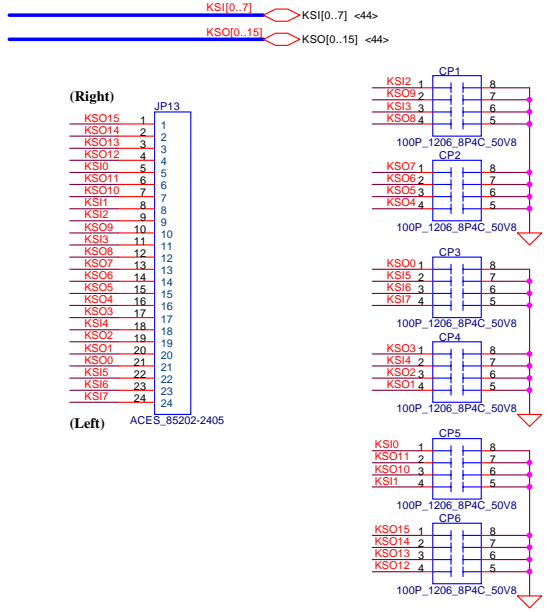
Compal Electronics, Inc.		
Title LED INDICATOR		
Size B	Document Number LA-2411	Rev 0.1
Date: 星期三, 七月 07, 2004	Sheet 40 of 65	



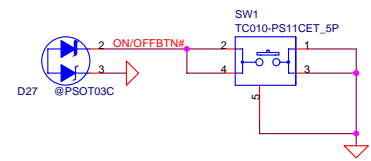
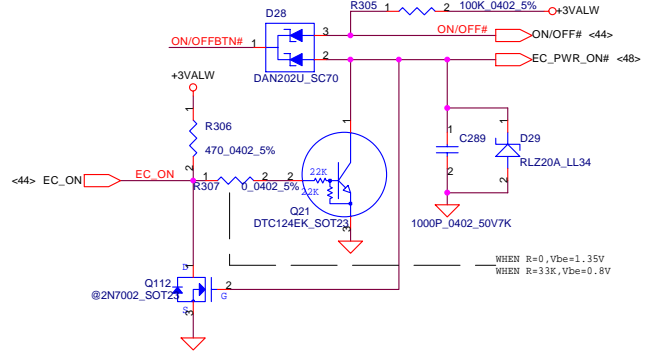
THIS SHEET OF ENGINEERING DRAWING IS THE PROPRIETARY PROPERTY OF COMPAL ELECTRONICS, INC. AND CONTAINS CONFIDENTIAL AND TRADE SECRET INFORMATION. THIS SHEET MAY NOT BE TRANSFERRED FROM THE CUSTODY OF THE COMPETENT DIVISION OF R&D DEPARTMENT EXCEPT AS AUTHORIZED BY COMPAL ELECTRONICS, INC. NEITHER THIS SHEET NOR THE INFORMATION IT CONTAINS MAY BE USED BY OR DISCLOSED TO ANY THIRD PARTY WITHOUT PRIOR WRITTEN CONSENT OF COMPAL ELECTRONICS, INC.

Compal Electronics, Inc.		
Title Mini PCI Slot		
Size	Document Number LA-2411	Rev 0.1
Date: 星期三, 七月 07, 2004	Sheet 41 of 65	

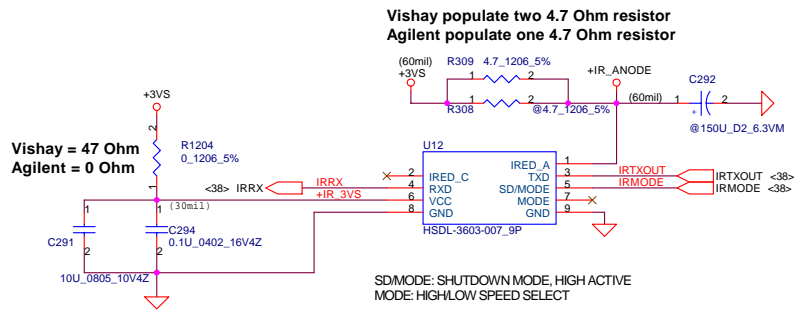
INT_KBD CONN.



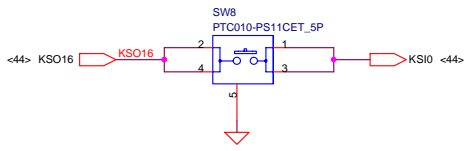
Power BTN



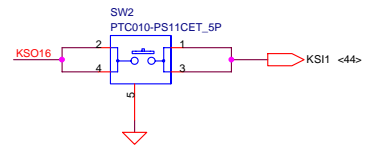
FIR Module



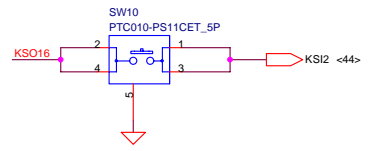
Console/E-MAIL Button



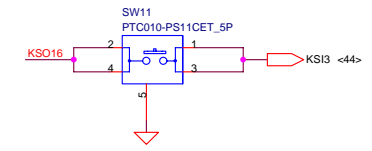
Internet Button



USER Button1



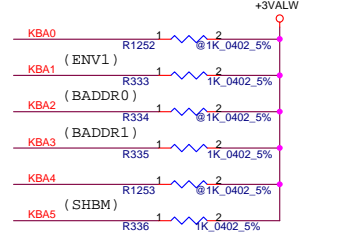
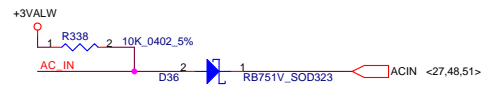
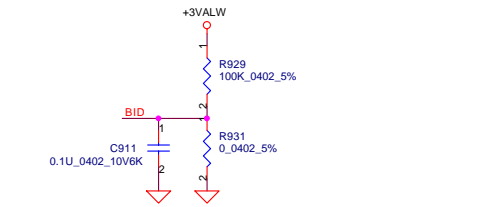
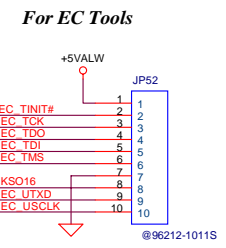
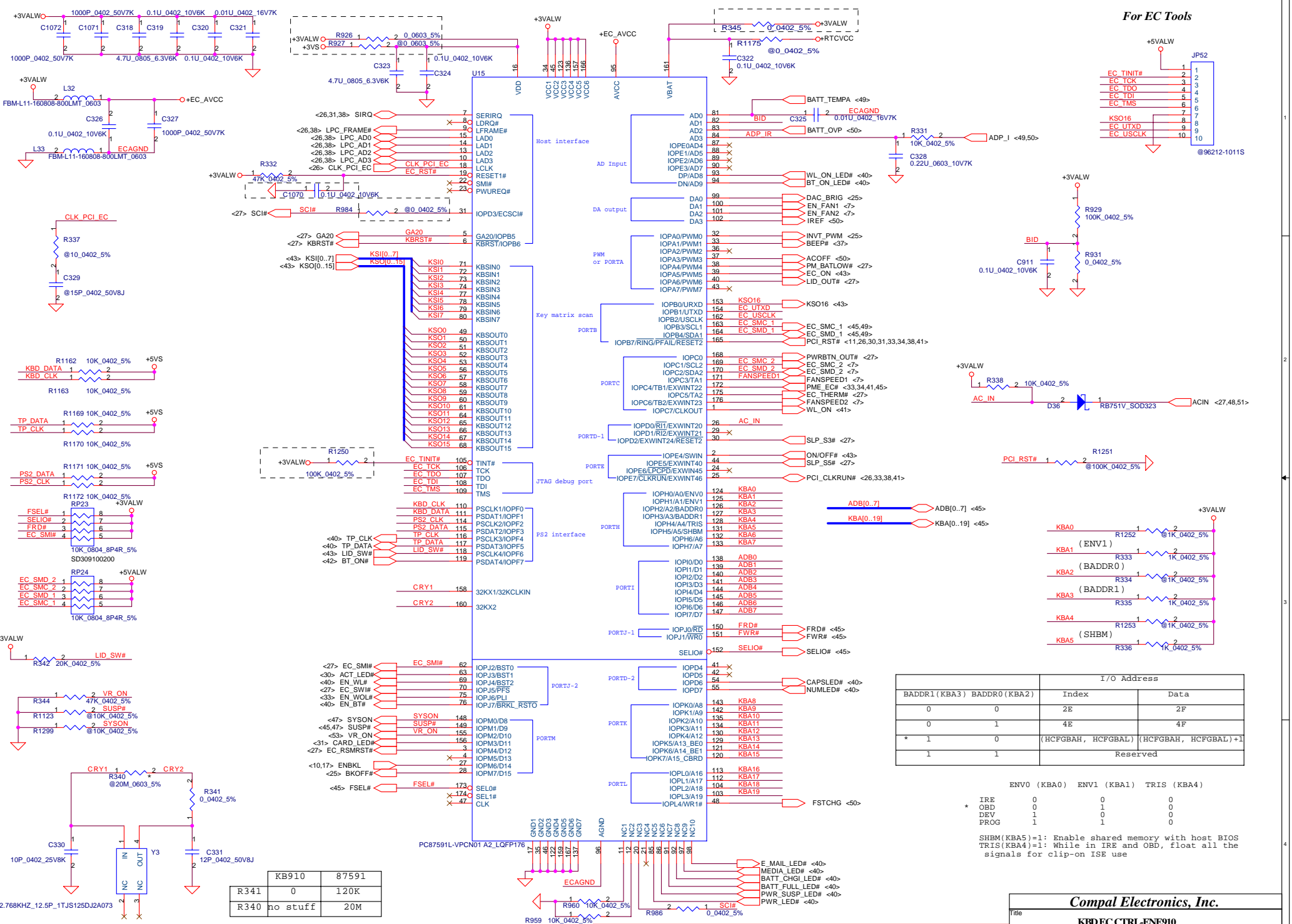
USER Button 2



THIS SHEET OF ENGINEERING DRAWING IS THE PROPRIETARY PROPERTY OF COMPAL ELECTRONICS, INC. AND CONTAINS CONFIDENTIAL AND TRADE SECRET INFORMATION. THIS SHEET MAY NOT BE TRANSFERRED FROM THE CUSTODY OF THE COMPETENT DIVISION OF R&D DEPARTMENT EXCEPT AS AUTHORIZED BY COMPAL ELECTRONICS, INC. NEITHER THIS SHEET NOR THE INFORMATION IT CONTAINS MAY BE USED BY OR DISCLOSED TO ANY THIRD PARTY WITHOUT PRIOR WRITTEN CONSENT OF COMPAL ELECTRONICS, INC.

Compal Electronics, Inc.			
Title KBD,ON/OFF,T/P,LED & FIR			
Size	Document Number	Rev	
	LA-2411	0.1	
Date:	星期三, 七月 07, 2004	Sheet	43 of 65

PDF Watermark Remover DEMO : Purchase from www.PDFWatermarkRemover.com to remove the watermark



I/O Address			
BADDR1 (KBA3)	BADDR0 (KBA2)	Index	Data
0	0	2E	2F
0	1	4E	4F
* 1	0	0	(HCFGBAH, HCFGBAL) (HCFGBAH, HCFGBAL)+1
1	1	Reserved	

IRE	ENVO (KBA0)	ENVI (KBA1)	TRIS (KBA4)
0	0	0	0
* 1	0	1	0
0	1	0	0
1	0	0	0
0	1	0	0

SHBM(KBA5)=1: Enable shared memory with host BIOS
 TRIS(KBA4)=1: While in IRE and OBD, float all the signals for clip-on ISE use

Compal Electronics, Inc.

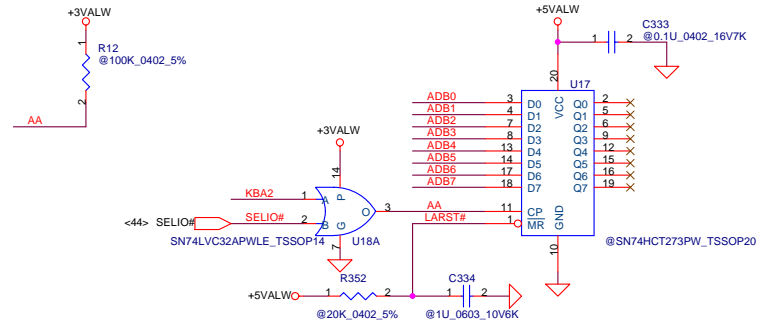
KBDEC CTRL-ENE910

Title		
Size	Document Number	Rev
	LA-2411	0.1
Date:	星期三, 七月 07, 2004	Sheet 44 of 65

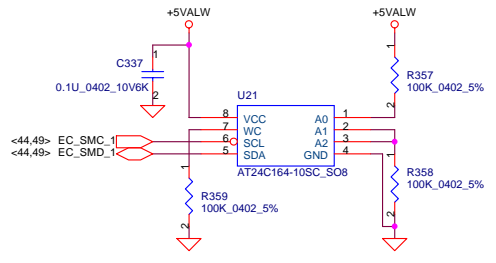
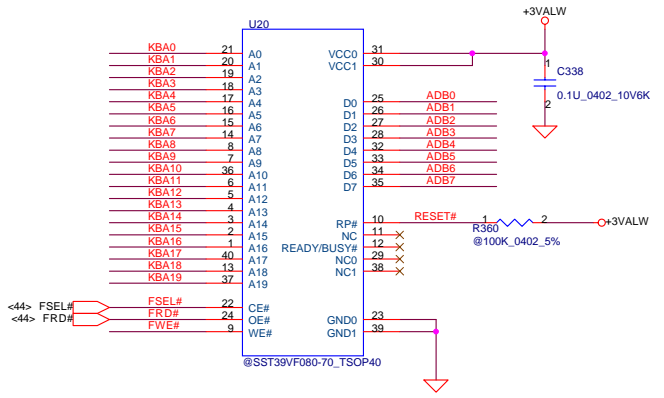
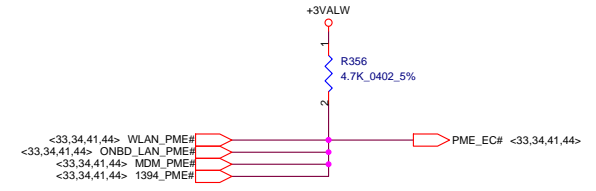
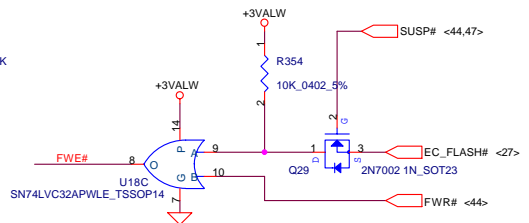
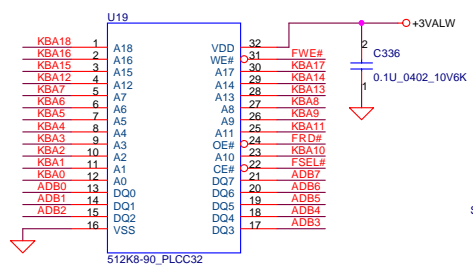
THIS SHEET OF ENGINEERING DRAWINGS IS THE PROPRIETARY PROPERTY OF COMPAL ELECTRONICS, INC. AND CONTAINS CONFIDENTIAL AND TRADE SECRET INFORMATION. THIS SHEET MAY NOT BE TRANSMITTED FROM THE CUSTODY OF THE COMPETENT DIVISION OF R&D DEPARTMENT EXCEPT AS AUTHORIZED BY COMPAL ELECTRONICS, INC. NEITHER THIS SHEET NOR THE INFORMATION IT CONTAINS MAY BE USED BY OR DISCLOSED TO ANY THIRD PARTY WITHOUT PRIOR WRITTEN CONSENT OF COMPAL ELECTRONICS, INC.

KB910	87591
R341	0 120K
R340	no stuff 20M

OUTPUT

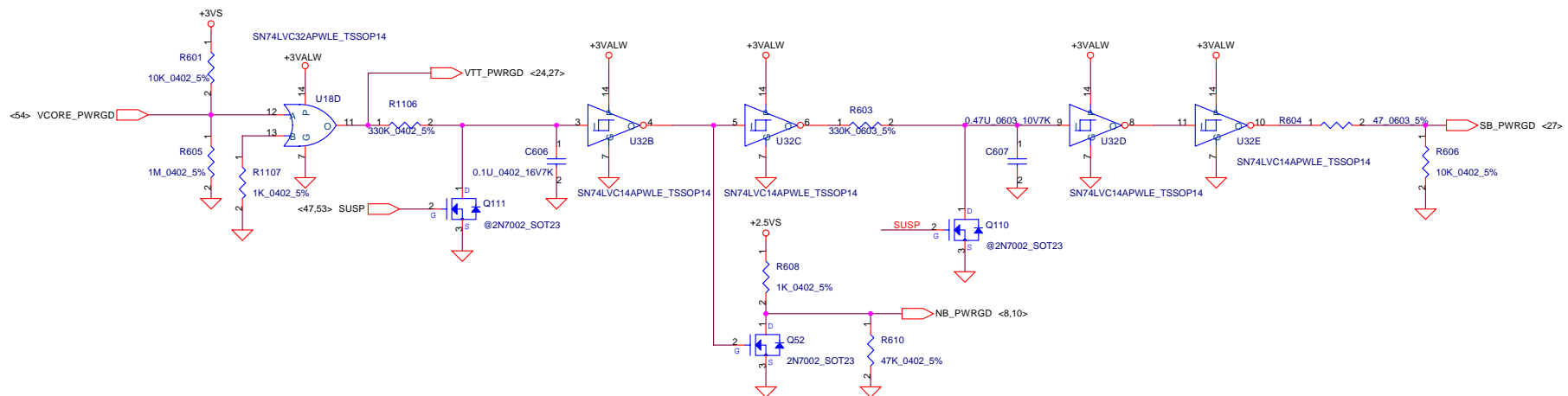


<44> ADB[0..7] ○ ADB[0..7]
 <44> KBA[0..19] ○ KBA[0..19]

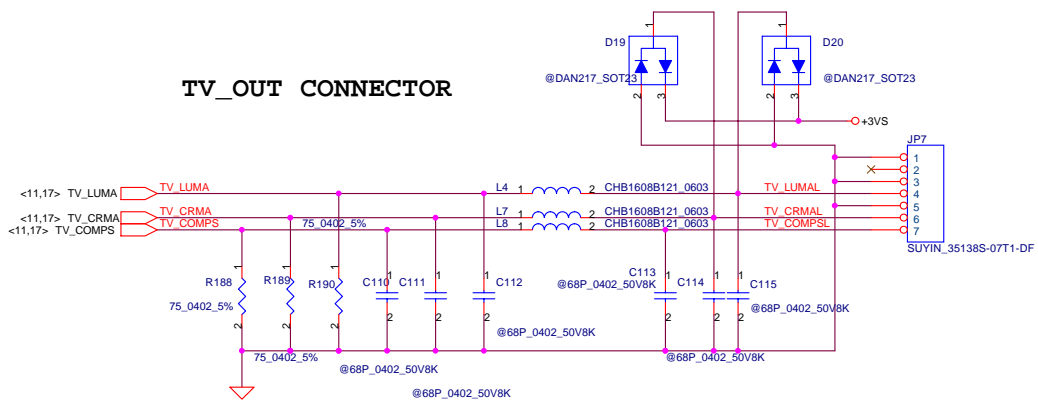


Compal Electronics, Inc.			
Title BIOS & EC I/O Port			
Size	Document Number	LA-2411	Rev 0.1
Date:	星期三, 七月 07, 2004	Sheet 45 of 65	

THIS SHEET OF ENGINEERING DRAWING IS THE PROPRIETARY PROPERTY OF COMPAL ELECTRONICS, INC. AND CONTAINS CONFIDENTIAL AND TRADE SECRET INFORMATION. THIS SHEET MAY NOT BE TRANSFERRED FROM THE CUSTODY OF THE COMPETENT DIVISION OF R&D DEPARTMENT EXCEPT AS AUTHORIZED BY COMPAL ELECTRONICS, INC. NEITHER THIS SHEET NOR THE INFORMATION IT CONTAINS MAY BE USED BY OR DISCLOSED TO ANY THIRD PARTY WITHOUT PRIOR WRITTEN CONSENT OF COMPAL ELECTRONICS, INC.



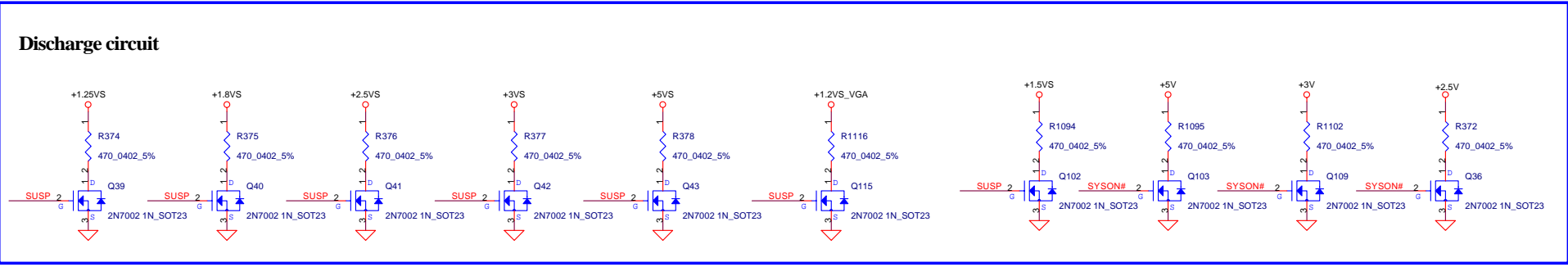
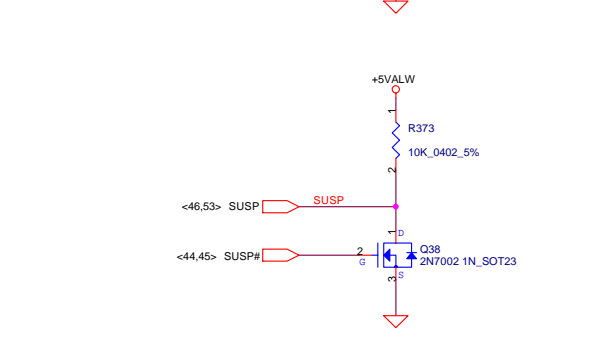
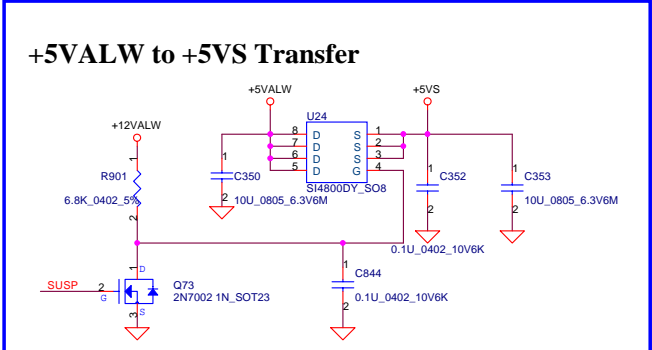
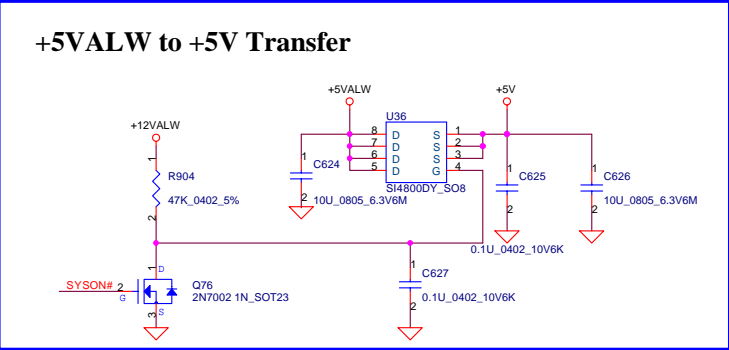
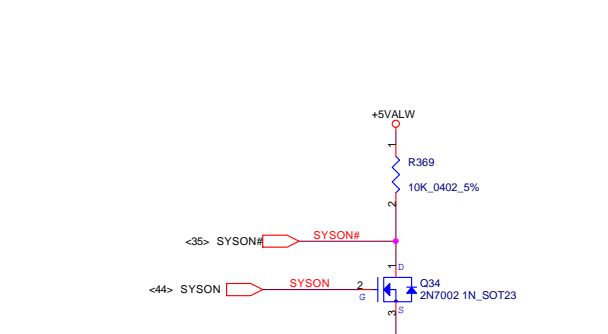
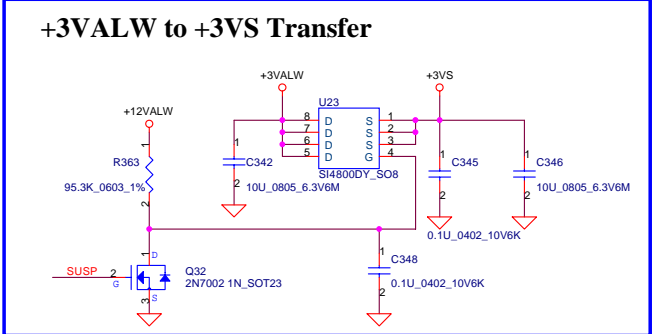
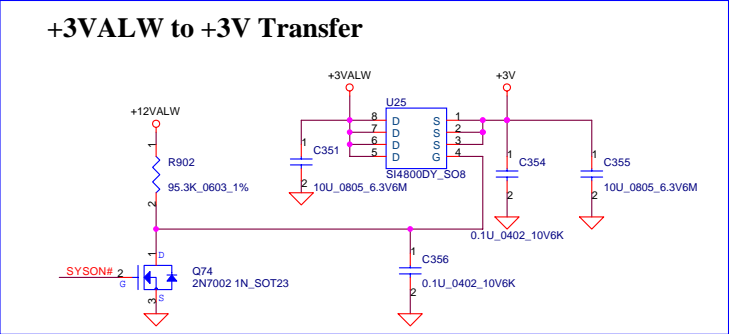
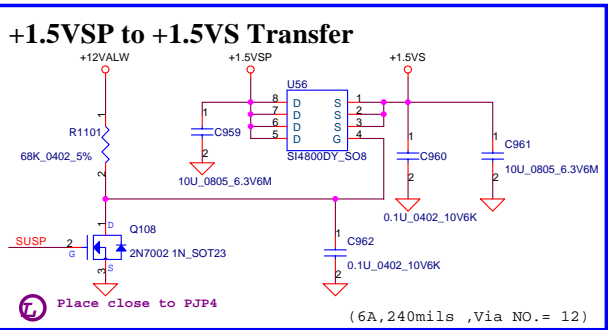
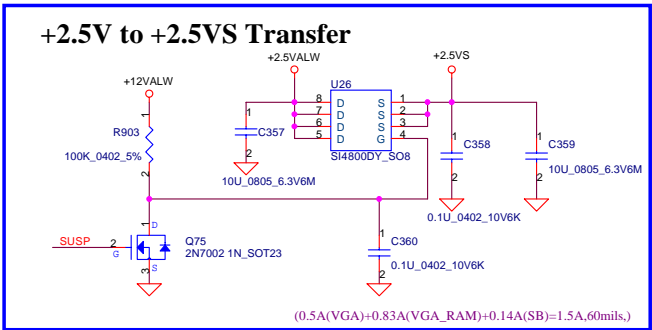
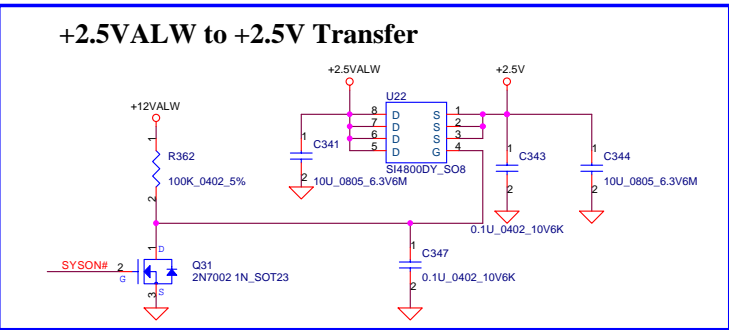
TV_OUT CONNECTOR



THIS SHEET OF ENGINEERING DRAWING IS THE PROPRIETARY PROPERTY OF COMPAL ELECTRONICS, INC. AND CONTAINS CONFIDENTIAL AND TRADE SECRET INFORMATION. THIS SHEET MAY NOT BE TRANSFERRED FROM THE CUSTODY OF THE COMPETENT DIVISION OF R&D DEPARTMENT EXCEPT AS AUTHORIZED BY COMPAL ELECTRONICS, INC. NEITHER THIS SHEET NOR THE INFORMATION IT CONTAINS MAY BE USED BY OR DISCLOSED TO ANY THIRD PARTY WITHOUT PRIOR WRITTEN CONSENT OF COMPAL ELECTRONICS, INC.

Compal Electronics, Inc.			
Title POWER GOOD & P/S2 CKT			
Size	Document Number	LA-2411	Rev 0.1
Date:	星期三, 七月 07, 2004	Sheet	46 of 65

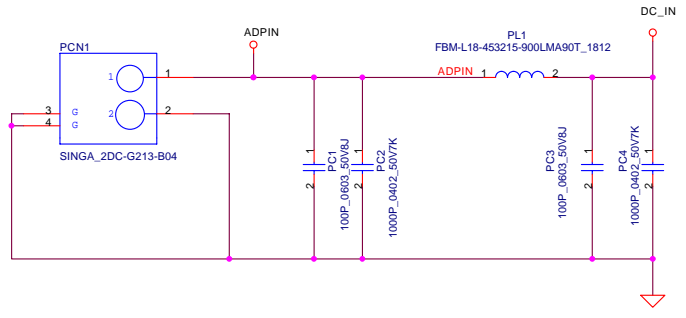
PDF Watermark Remover DEMO : Purchase from www.PDFWatermarkRemover.com to remove the watermark



THIS SHEET OF ENGINEERING DRAWING IS THE PROPRIETARY PROPERTY OF COMPAL ELECTRONICS, INC. AND CONTAINS CONFIDENTIAL AND TRADE SECRET INFORMATION. THIS SHEET MAY NOT BE TRANSFERRED FROM THE CUSTODY OF THE COMPETENT DIVISION OF R&D DEPARTMENT EXCEPT AS AUTHORIZED BY COMPAL ELECTRONICS, INC. NEITHER THIS SHEET NOR THE INFORMATION IT CONTAINS MAY BE USED BY OR DISCLOSED TO ANY THIRD PARTY WITHOUT PRIOR WRITTEN CONSENT OF COMPAL ELECTRONICS, INC.

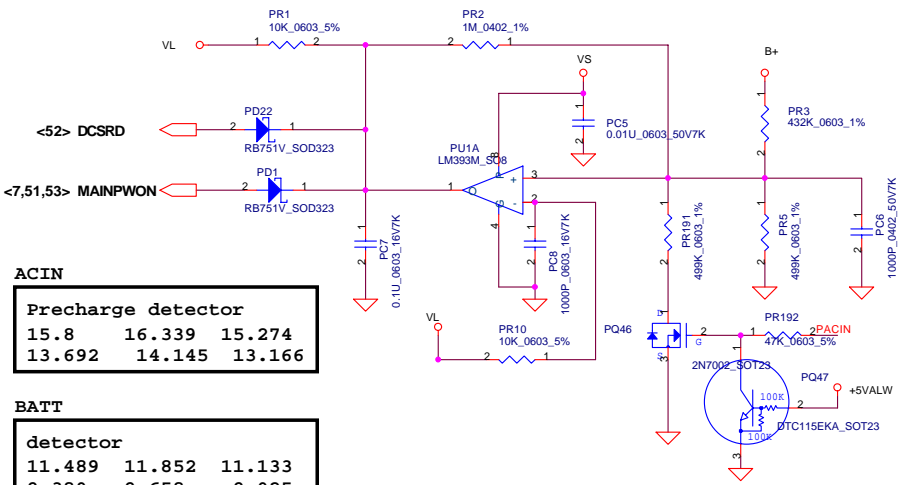
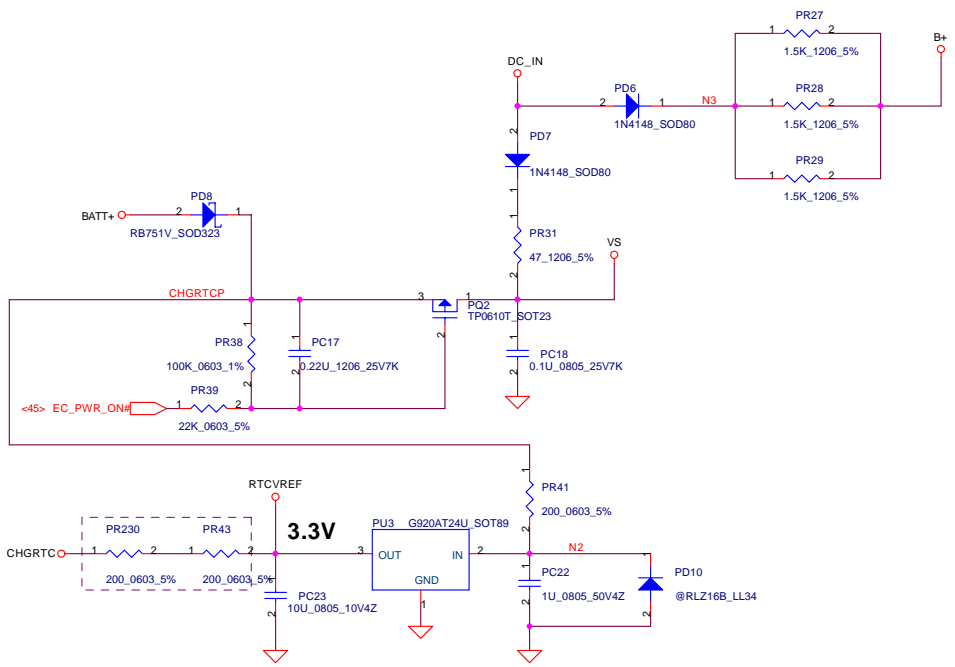
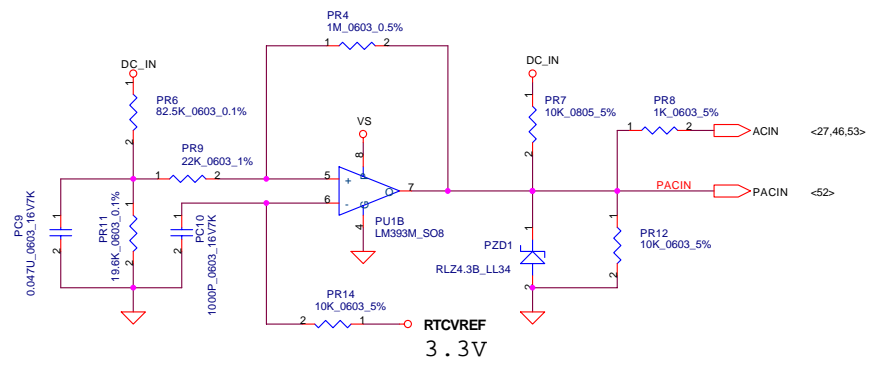
Compal Electronics, Inc.		
Title DC/DC Circuits		
Size	Document Number LA-2411	Rev 0.1
Date:	星期三, 七月 07, 2004	Sheet 47 of 65

PDF Watermark Remover DEMO : Purchase from www.PDFWatermarkRemover.com to remove the watermark



Vin Detector

18.234	17.841	17.449
17.597	17.210	16.813



ACIN

Precharge detector

15.8	16.339	15.274
13.692	14.145	13.166

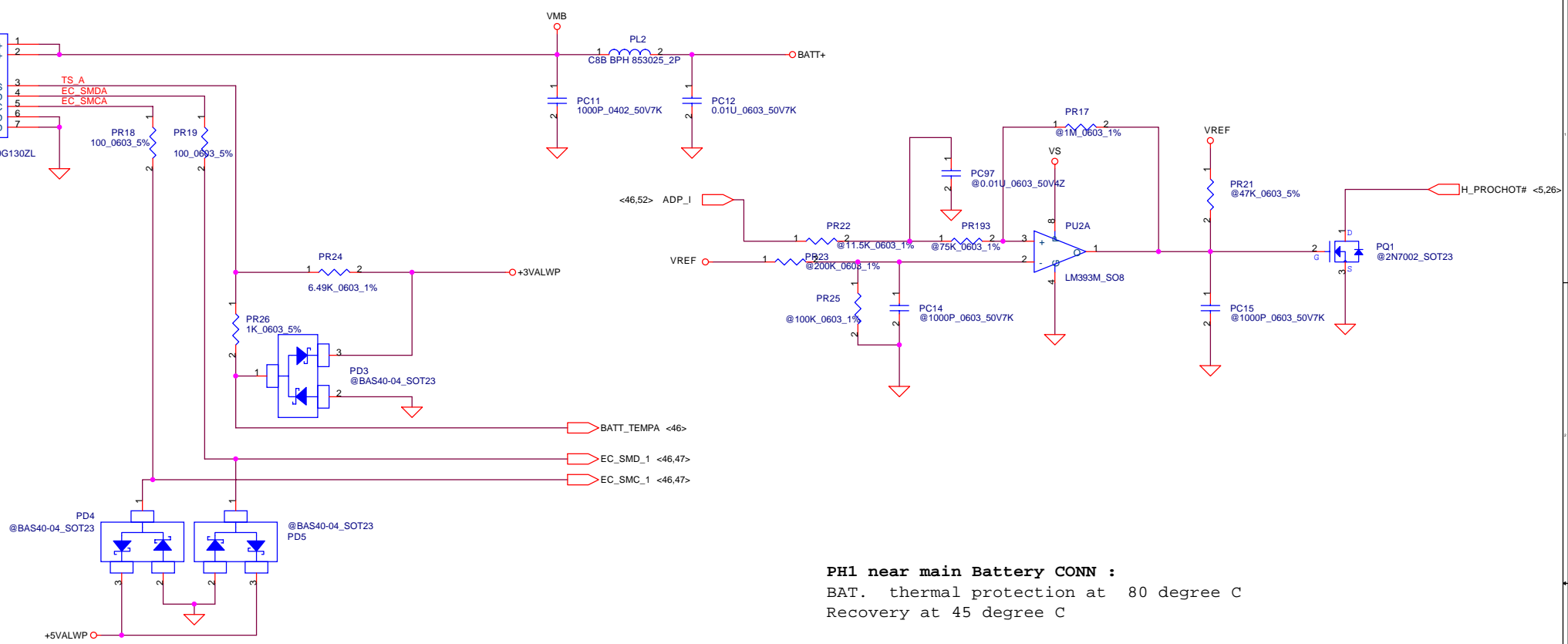
BATT

detector

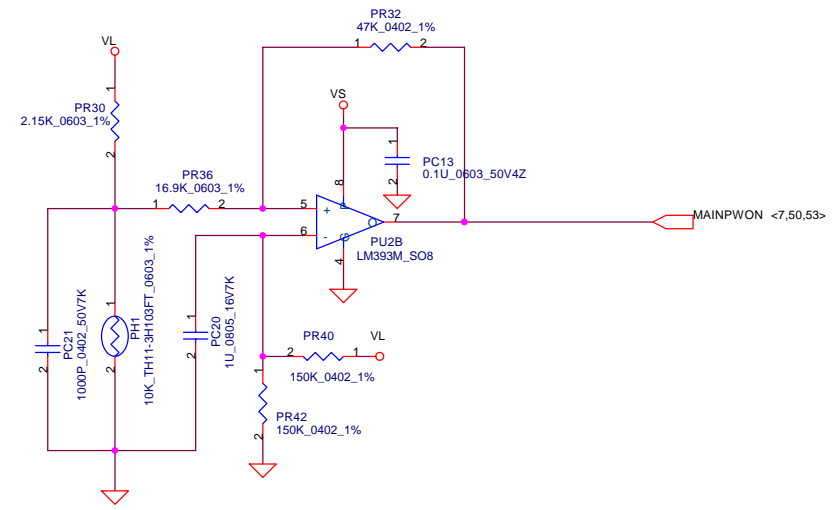
11.489	11.852	11.133
9.380	9.658	9.025

Compal Electronics, Inc.		
Title: Detector		
Size	Document Number	Rev 0.1
Date: 星期三, 七月 07, 2004	Sheet 48 of 65	

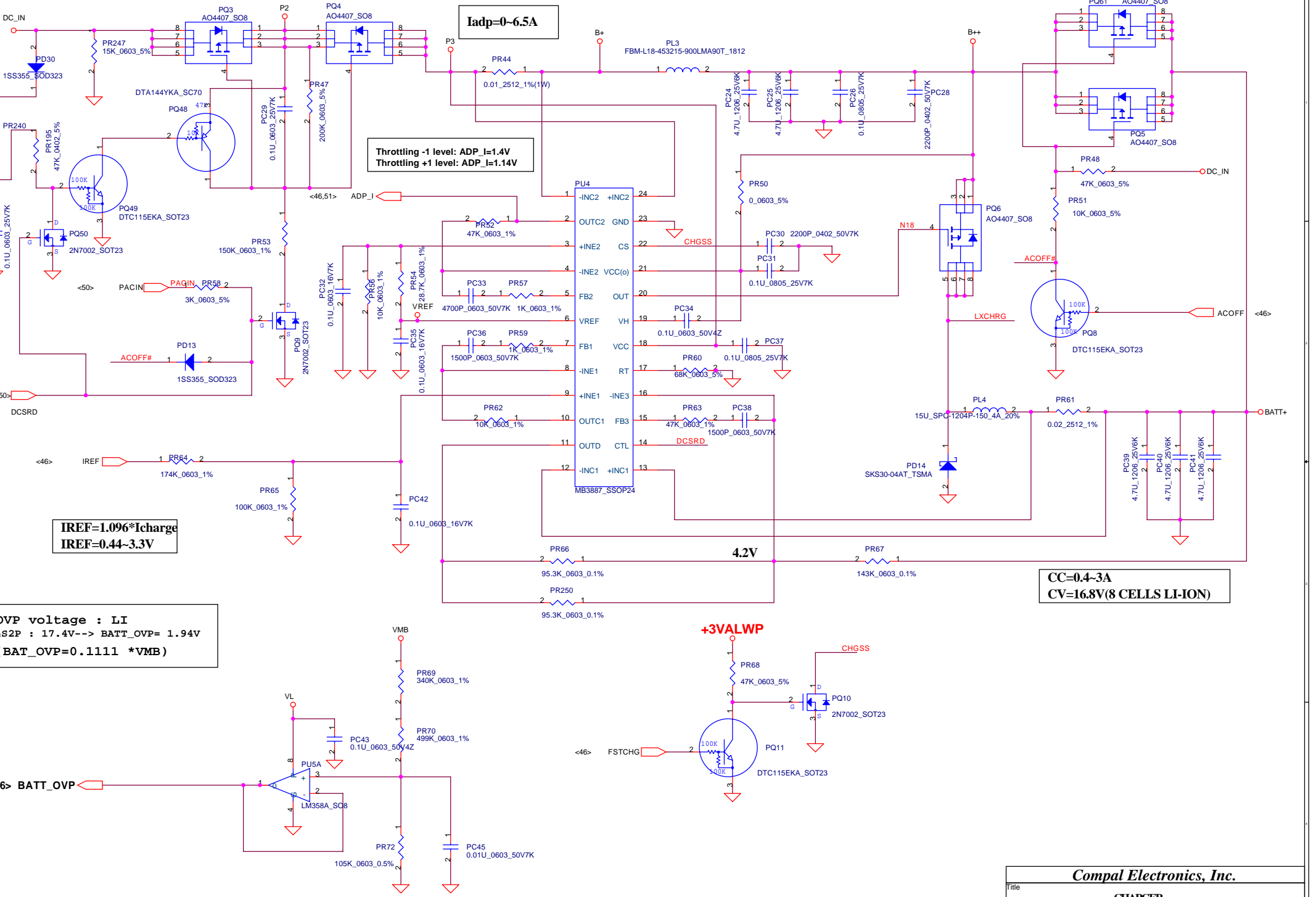
THIS SHEET OF ENGINEERING DRAWING IS THE PROPRIETARY PROPERTY OF COMPAL ELECTRONICS, INC. AND CONTAINS CONFIDENTIAL AND TRADE SECRET INFORMATION. THIS SHEET MAY NOT BE TRANSFERRED FROM THE CUSTODY OF THE COMPETENT DIVISION OF R&D DEPARTMENT EXCEPT AS AUTHORIZED BY COMPAL ELECTRONICS, INC. NEITHER THIS SHEET NOR THE INFORMATION IT CONTAINS MAY BE USED BY OR DISCLOSED TO ANY THIRD PARTY WITHOUT PRIOR WRITTEN CONSENT OF COMPAL ELECTRONICS, INC.



PH1 near main Battery CONN :
 BAT. thermal protection at 80 degree C
 Recovery at 45 degree C



PDF Watermark Removal DEMO : Purchase from www.PDFWatermarkRemover.com to Remove the watermark



Iadp=0-6.5A

Throttling -1 level: ADP_I=1.4V
Throttling +1 level: ADP_I=1.14V

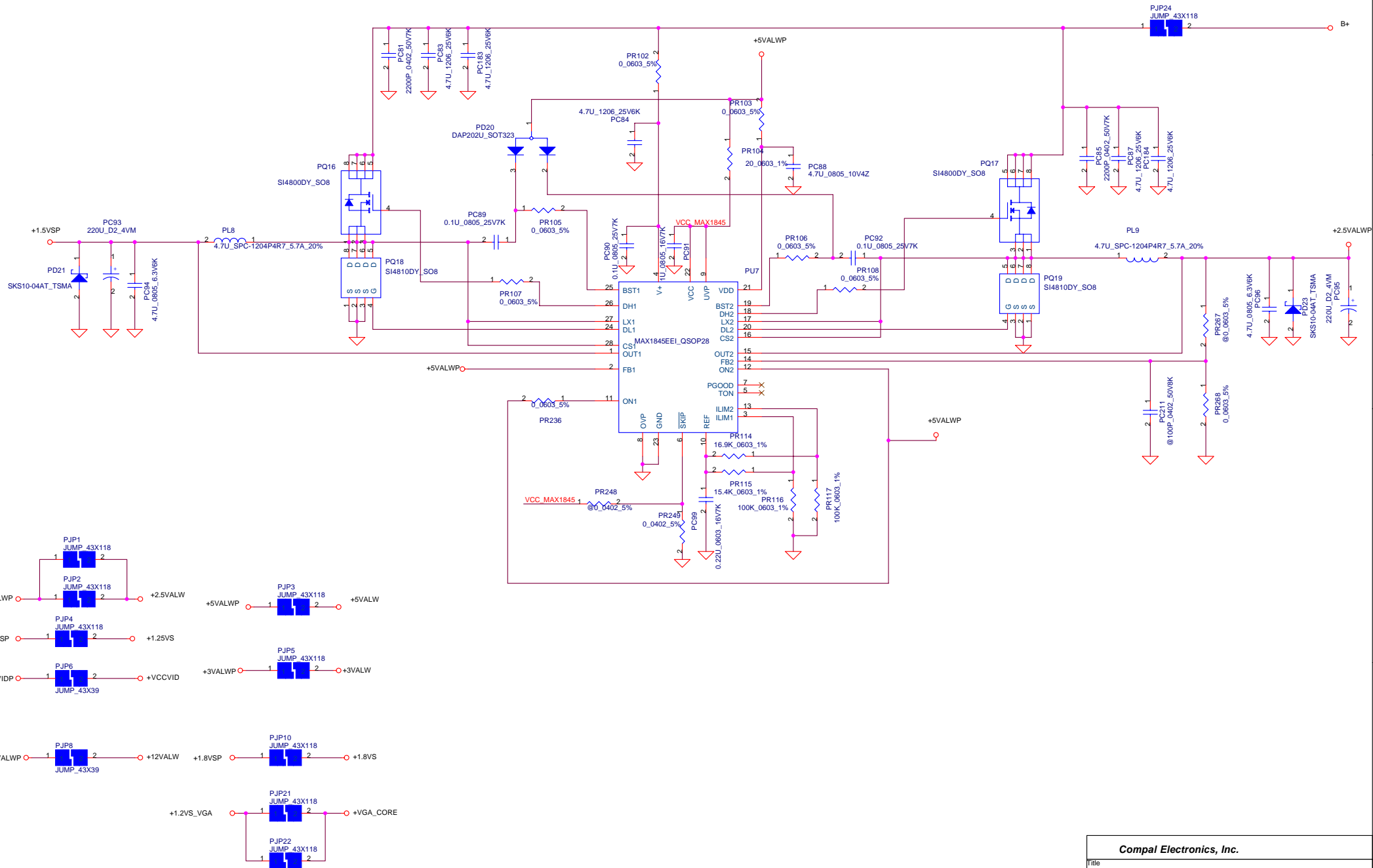
IREF=1.096*Icharge
IREF=0.44-3.3V

OVP voltage : LI
4S2P : 17.4V--> BATT_OVP= 1.94V
(BAT_OVP=0.1111 *VMB)

CC=0.4-3A
CV=16.8V(8 CELLS LI-ION)

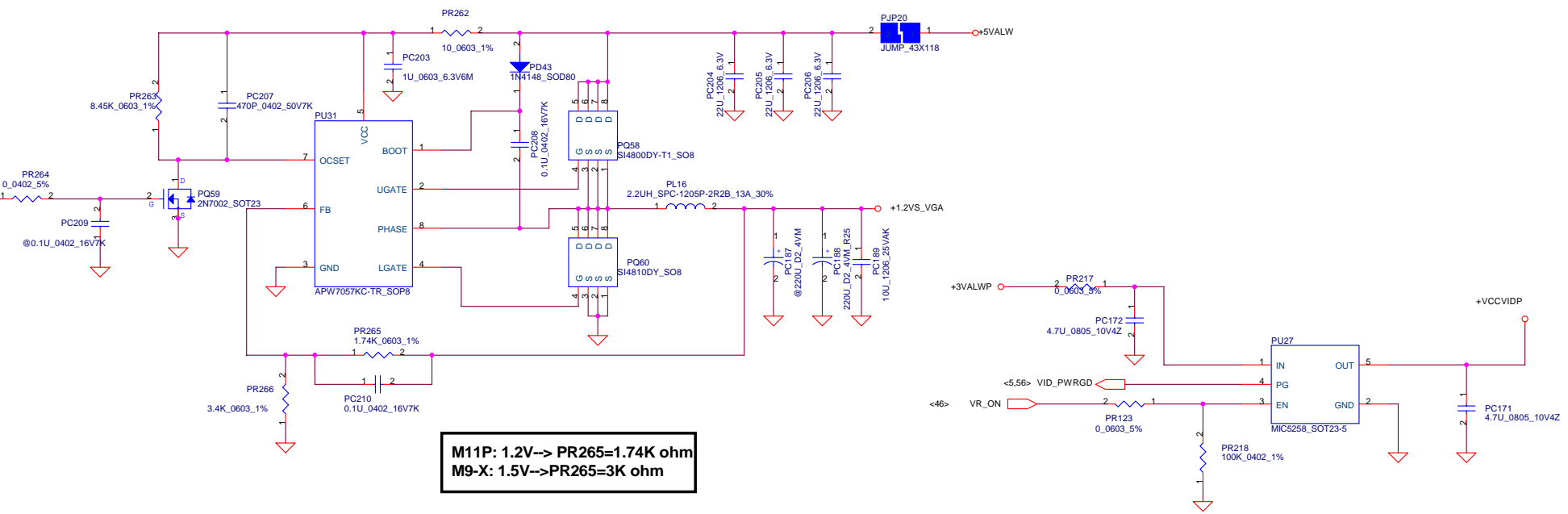
+3VALWP

Compal Electronics, Inc.		
Title CHARGER		
Size	Document Number	Rev 0.1
Date:	星期三, 七月 07, 2004	Sheet 50 of 65

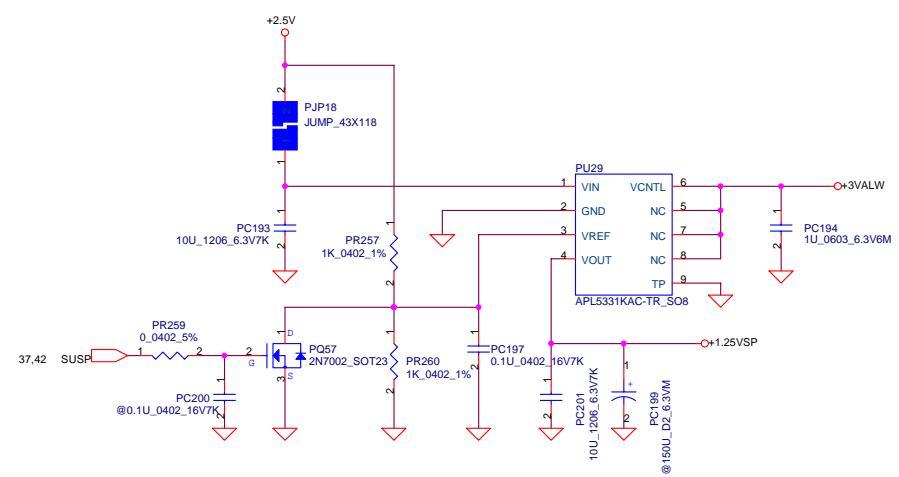
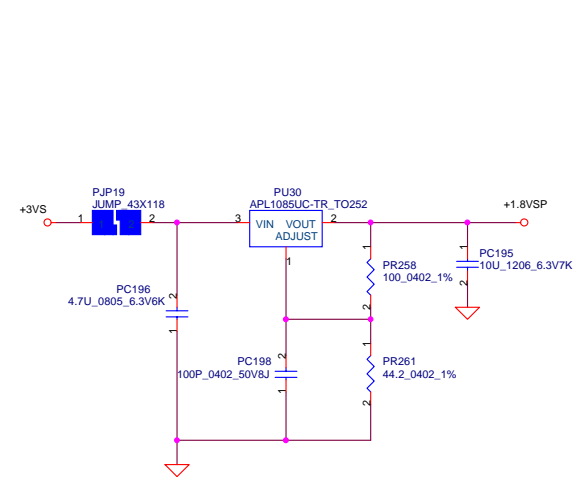


Compal Electronics, Inc.		
Title		
DDR POWER 2.5V & 1.5V		
Size	Document Number	Rev
B		0.1
Date:	星期三, 七月 07, 2004	Sheet 52 of 65

THIS SHEET OF ENGINEERING DRAWING IS THE PROPRIETARY PROPERTY OF COMPAL ELECTRONICS, INC. AND CONTAINS CONFIDENTIAL AND TRADE SECRET INFORMATION. THIS SHEET MAY NOT BE TRANSFERRED FROM THE CUSTODY OF THE COMPETENT DIVISION OF R&D DEPARTMENT EXCEPT AS AUTHORIZED BY COMPAL ELECTRONICS, INC. NEITHER THIS SHEET NOR THE INFORMATION IT CONTAINS MAY BE USED BY OR DISCLOSED TO ANY THIRD PARTY WITHOUT PRIOR WRITTEN CONSENT OF COMPAL ELECTRONICS, INC.



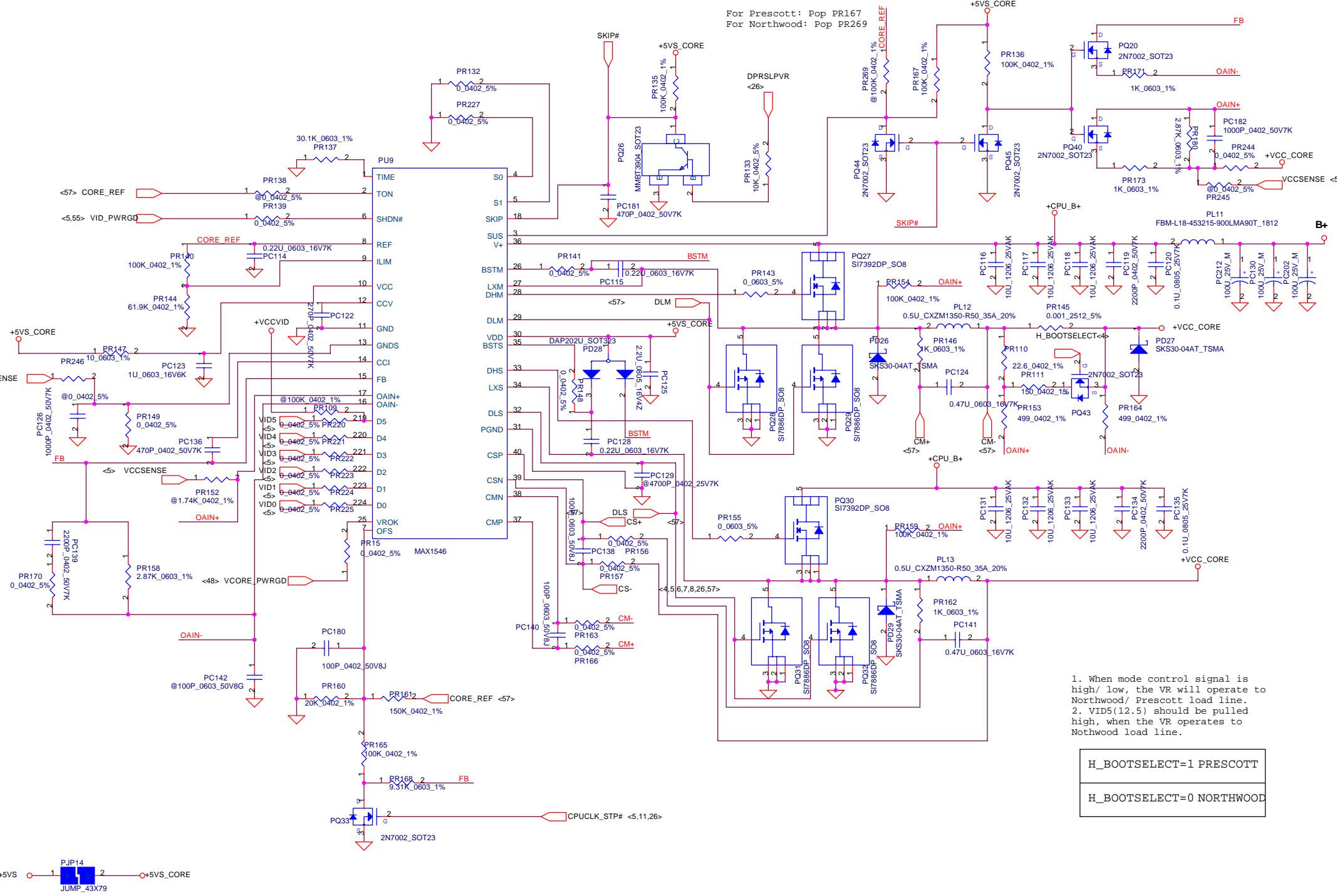
M11P: 1.2V--> PR265=1.74K ohm
 M9-X: 1.5V-->PR265=3K ohm



Compal Electronics, Inc.		
File	VGA/1.8V/VCCVID/1.25V	
Size	Document Number	Rev
		0.1
Date:	星期三, 七月 07, 2004	Sheet 53 of 65

THIS SHEET OF ENGINEERING DRAWING IS THE PROPRIETARY PROPERTY OF COMPAL ELECTRONICS, INC. AND CONTAINS CONFIDENTIAL AND TRADE SECRET INFORMATION. THIS SHEET MAY NOT BE TRANSFERRED FROM THE CUSTODY OF THE COMPETENT DIVISION OF R&D DEPARTMENT EXCEPT AS AUTHORIZED BY COMPAL ELECTRONICS, INC. NEITHER THIS SHEET NOR THE INFORMATION IT CONTAINS MAY BE USED BY OR DISCLOSED TO ANY THIRD PARTY WITHOUT PRIOR WRITTEN CONSENT OF COMPAL ELECTRONICS, INC.

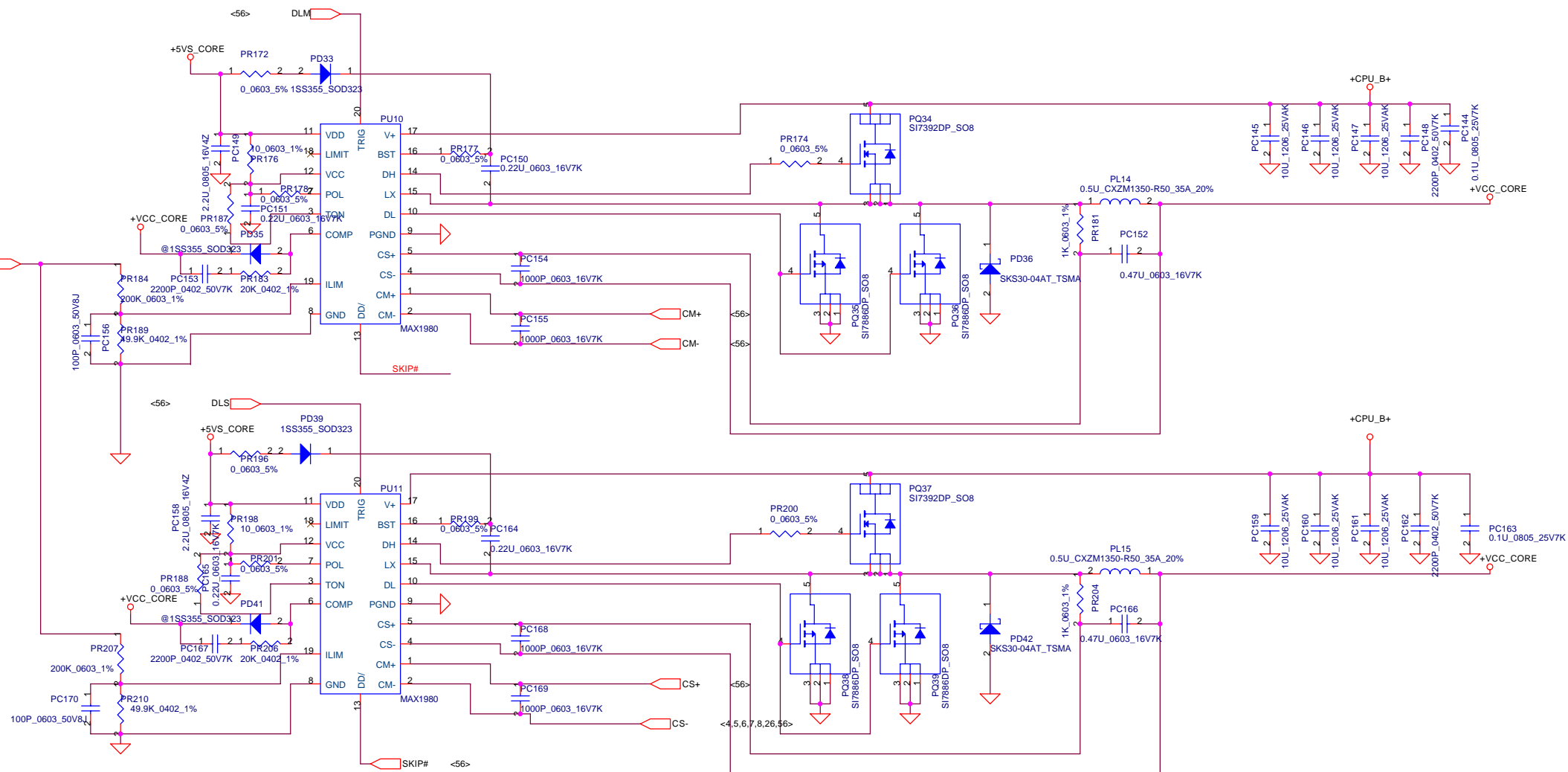
For Prescott: Pop PR167
For Northwood: Pop PR269



- When mode control signal is high/low, the VR will operate to Northwood/Prescott load line.
- VID5(12.5) should be pulled high, when the VR operates to Northwood load line.

H_BOOTSELECT=1 PRESCOTT
H_BOOTSELECT=0 NORTHWOOD

Title		
CPU_CORE(1)		
Size	Document Number	Rev
A3		0.1
Date:	星期三, 七月 07, 2004	Sheet 54 of 65



Version Change List (P. I. R. List) for Power Circuit

Item	Page#	Title	Date	Request Owner	Issue Description	Solution Description	Rev.
1	54,55,56,57	wrong layout pad	03/25/2003	Compal	wrong layout pad	change to correct layout pad on PU7, PU8, PU9, PU10, PU11, PU16 and PQ24	0.2
2	56	DPRS LPVR	03/25/2003	Compal	Reserve two resistors for voltage of Deep-sleeper mode	Reserver PR231, PR232, PR233, PR234 for deeper-sleeper mode voltage setting	0.2
3	56	CPU VR-Cont.	03/25/2003	Compal	Reserve a jumper for power consumption measurement	Add PJP14	0.2
4	57	CPU VR-Cont.	03/25/2003	Compal	Change the netname +5VS_CORE for power consumption measurement	Change Netname of +5VS_CORE	0.2
5	51	RTC charger	03/25/2003	Compal	use two resistors for RTC charger protection	Add PR230	0.2
6	55	1.2VS_VGA	03/25/2003	Compal	re-layout 1.2V_VGA requested by ME	re-located both PL10 and PQ21, PQ23 as well as 1.2VS_VGA related power circitry	0.2
7	55	1.2VS_VGA	03/26/2003	Compal	Reserve a jumper for power consumption measurement	Add PJP15	0.2
8	55	+1.25VSP	03/26/2003	Compal	Change power time-sequence of 1.25VSP input power	Change VD, and VDD of PU16 from +2.5VALWP to +2.5VS; Connect PR235.2 to +2.5VS add a resistor PR235 for Stand/By pin for test	0.2
9	54	+1.5VALWP	03/27/2003	Compal	Reserve Force PWM function of 1.5V/2.5V and add a PR236 for SUSP# signal	Add PR237, PR238 for force PWM function control, and add PR236 for SUSP# signal	0.2

PDF Watermark Remover DEMO : Purchase from www.pdfwatermarkremover.com to remove the watermark

PDF Watermark Remover DEMO : Purchase from www.PDFWatermarkRemover.com to remove the watermark

BHR60 from DB-1 to DB-2 STEP LA-1811 REV:0.1 -> 0.2 Modify <92.03.17.~92.03.24. >

- 1. Add an independent power source for VGA chip because of ATI request . <Page 12> 92.03.17.
-Add U53(S19185),C913,R1023,C912,C914 and related net . (Modify CKT,BOM&Layout)
- 2. Modify the Audio related schematic for Customer request . <Page 37> 92.03.17.
-Add Q101(2N7002);Del R948(2.2K_0402_5%);Modify R746(2.2K_0402_5%) . (Modify CKT,BOM&Layout)
- 3. Change the USB2.0 Controller chip from ATI to NEC and modify the net for Customer request .
<Page 26,27,36,44> 92.03.18.
-Add U54(NEC_uPD720101F1-EA8),R1024~R1047,R1049,R1051,R1053,R1054,C915~C929,
U55(AT24C02),RP147,RP148,R102,R1059,R1062;Del RP127 . (Modify CKT,BOM&Layout)
-Add R1048,R1050,R1052 . (Modify CKT&Layout)
- 4. Modify the Audio related schematic for Customer request . <Page 37,38> 92.03.20.
-Add R1063(39K_0603_1%);Del R768(0_1206_5%) . (Modify CKT,BOM&Layout)
-Change C894,C896 from 1U_0603_10V6K to 0.1U_0603_16V7K . (Modify CKT&BOM)
-Change R974 from @100K_0402_5% to 100K_0402_5% . (Modify CKT&BOM)
-Change R972 from 100K_0402_5% to @100K_0402_5% . (Modify CKT&BOM)
-Change JP41.3 from GNDA to +5VAMP. (Modify CKT&Layout)
- 5. Modify the MiniPCI and BlueTooth conn related schematic for Customer request . <Page 43,44> 92.03.21.
-Add R1083,R1084,R1085(@_0402_5%) . (Modify CKT&Layout)
-Change R300 from 100_0402_5% to @100_0402_5% . (Modify CKT&BOM)
- 6. Modify the USB2.0 related for Compal ATI/NEC Dual Layout request . <Page 27,44> 92.03.21.
-Add R1069,R1070,R1072,R1073,R1074,R1076,R1077,R1078,R1092,R1093(NEC@_0402_5%) .
(Modify CKT,BOM&Layout)
-Change R976,R977,R978,R979,R982,R983 from 0_0402_5% to ATI@_0402_5% and the net .
(Modify CKT,BOM&Layout)
-Add R1071,R1075,R1090,R1091(ATI@_0402_5%) . (Modify CKT&Layout)
- 7. Add De-coupling capacitor for AGP power pins on RC300M and VGA chip because of ATI request .
<Page 10> 92.03.21.
-Add C937~C946,C862,C863,C865~C871(0.1U_0402_10V6K) . (Modify CKT,BOM&Layout)
- 8. Reserve the SMBus1/2 swap Resistors for ATI request . <Page 27> 92.03.23.
-Add RP150(0_0404_4P2R_5%) . (Modify CKT,BOM&Layout)
-Add RP149(@_0404_4P2R_5%) . (Modify CKT&Layout)
- 9. Add the power source +5V and +1.5VS discharge circuit for ATI request . <Page 49> 92.03.23.
-Add R1094,R1095(470_0402_5%),Q102,Q103(2N7002 1N_SOT23) . (Modify CKT,BOM&Layout)
- 10. Modify the ON1 related to speed up the power sequence for ATI request . <Page 48,54> 92.03.23.
-Add R1096,R1097(10K_0402_5%),Q1043(2N7002 1N_SOT23),Q105(DTC124EK_SC59);
Del PR113(47K),PC183(0.1U) . (Modify CKT,BOM&Layout)
- 11. Modify power source CAP.'s value by Brian . <Page 26,49> 92.03.24.
-Change C347,C360 from 0.1U_0402_10V6K to 3900P_0402_50V7K;C356,C348
from 0.01U_0402_16V7K to 2200P_0402_25V7K . (Modify CKT&BOM)
-Add C956(180P_0603_50V8J) . (Modify CKT,BOM&Layout)
- 12. Del Via Hole on schematic for ME modify . <Page 41> 92.03.24.
-Del H15(H_C374D295),H29(H_C197D91) . (Modify CKT,BOM&Layout)
- 13. Modify the MiniPCI and BlueTooth conn related for Customer request . <Page 43,44> 92.03.24.
-Change R1083,R1084 from @_0402_5% to 100_0402_5% . (Modify CKT&BOM)
-Add C957(10U_0805_10V3M),C958(0.1U_0402_10V6K) . (Modify CKT,BOM&Layout)
- 14. Swap the USB20*P3* and USB20*P5* for Customer request . <Page 44> 92.03.24.
-Modify R1079~R1082,JP43,R980,R981's connection . (Modify CKT&Layout) A-TEST SMT BUILT
- 15. Modify the schematic after rev0.1 debug by Brian . <Page 12,17,26,29> 92.03.24.
-Change R1010 from @_0603_5% to 0_0603_5%;R1011 from 0_0603_5% to @0_0603_5%;
Q15 from 2SC2411K_SOT23 to @2SC2411K_SOT23;R145 from 4.7K_0402_5% to @4.7K_0402_5%;
R146 from @4.7K_0402_5% to 4.7K_0402_5%;R967 from @10K_0402_5% to 10K_0402_5%;
R833 from @0_0402_5% to 0_0402_5% . (Modify CKT&BOM)
- 16. Modify the schematic H_BOOTSELECT related by Power Team . <Page 04> 92.03.25.
-Add Q106(2SC2411K_SC59),Q107(MMBT3904_SOT23),R1099,R1100(47K_0402_5%) .
(Modify CKT,BOM&Layout)
-Change R899 from 0_0402_5% to 22K_0402_5%,R900 from @_0402_5% to 100K_0402_5% .
(Modify CKT&BOM)
- 17. Add a power transfer circuit to fix +1.5VS leakage issue . <Page 49> 92.03.25.
-Add U56(SI4800DY_SO8),Q108(2N7002 1N_SOT23),R1101(100K_0402_5%),C960(0.1U_0402_10V6K),
C961(10U_1206_6.3V6M),C962(3900P_0402_50V7K) . (Modify CKT,BOM&Layout)

- 18. Modify power source Resistor and CAP.'s value for power sequence . <Page 49> 92.03.26.
-Change C347,C360,C962 from 3900P_0402_50V7K to 0.1U_0402_10V6K;C356,C348 from 2200P_0402_25V7K
to 0.1U_0402_10V6K;C627,C844 from 1000P_0402_50V7K to 0.1U_0402_10V6K . (Modify CKT&BOM)
-Change R903,R362 from 100K_0402_5% to 91K_0402_5% . (Modify CKT&BOM)
-Change R902,R363 from 100K_0402_5% to 95.3K_0603_1% . (Modify CKT,BOM&Layout)
- 19. Modify the ON1 related to speed up the power sequence for ATI request by Brian/James/CT . <Page 48,54> 92.03.26.
-Del R1096,R1097(10K_0402_5%),Q1043(2N7002 1N_SOT23),Q105(DTC124EK_SC59) . (Modify CKT,BOM&Layout)
- 20. Add the power source +3VS discharge circuit by Brian . <Page 49> 92.03.26.
-Change Q42 from @2N7002 1N_SOT23 to 2N7002 1N_SOT23 . (Modify CKT&BOM)
- 21. Change the Resistor's value for ATI recommend . <Page 17 > 92.03.26.
-Change R264 from 169_0603_1% to 2N7002 1N_SOT23 . (Modify CKT&BOM)
- 22. Correct material layout footprint and pin define . <Page 26,34 > 92.03.26.
-Change Y1,Y3 PCB Footprint and JP32 pin define . (Modify CKT&Layout)
- 23. Add the power source +3V discharge circuit for ATI request . <Page 49> 92.03.27.
-Add R1102(470_0402_5%),Q109(2N7002 1N_SOT23) . (Modify CKT,BOM&Layout)
- 24. Change the power sequence related part's power source by Brian . <Page 5,37,48> 92.03.27.
-Change U32's power source from +3VS to +3VALW . (Modify CKT&Layout)
- 25. Modify the power sequence related schematic for timing by Brian . <Page 48> 92.03.27.
-Change R605 from 1M_0402_5% to @1M_0402_5%;C606 from 1U_0603_10V6K to @1U_0603_10V6K .
(Modify CKT&BOM)
-Add Q110(2N7002_SOT23) . (Modify CKT,BOM&Layout)
- 26. Modify the SPDIF related schematic for Customer request . <Page 37,41> 92.03.28.
-Add R1103(0_0402_5%),C963(0.01U_0402_50V7K) . (Modify CKT,BOM&Layout)
- 27. Modify the NEC USB2.0 Controller Chip related schematic for Customer request . <Page 36> 92.03.28.
-Add Y7(30MHZ_30PPM),R1105(100_0402_5%),C964(12P_0402_50V8J),C965(10P_0402_50V8K) .
(Modify CKT,BOM&Layout)
-Add R1104(@_0_0402_5%) . (Modify CKT&Layout)
-Change R1024 from 0_0402_5% to @0_0402_5% . (Modify CKT&BOM)
- 28. Update the material's Layout Footprint for error correction . <Page 36> 92.03.28.
-Update JP29,JP14,SW1,SW3~SW8,JP40,Q65 . (Modify CKT&Layout)
- 29. Modify the related schematic after Brian Review <Page 7,24,26,29,30,39,43,45> 92.03.31.
-Del R288(56_0402_5%) . (Modify CKT,BOM&Layout)

- 30. Modify the related schematic after Layout check <Page 44> 92.03.31.
-Modify JP16(RJ11 Conn).5 and JP16.6 from GND to NC . (Modify CKT&Layout)
- 31. Update the material's Layout Footprint for error correction . <Page 41> 92.04.02.
-Update JP40 . (Modify CKT&Layout)
- 32. Modify the schematic for cost down . <Page 10,12,26,37,> 92.04.04.
-Change to @(R1005,D79~D82,U53,C912,C913,R1023,Q98,R769,R771,) . (Modify CKT&BOM)

----PLEASE SEE NEXT PAGE

THIS SHEET OF ENGINEERING DRAWING IS THE PROPRIETARY PROPERTY OF COMPAL ELECTRONICS, INC. AND CONTAINS CONFIDENTIAL AND TRADE SECRET INFORMATION. THIS SHEET MAY NOT BE TRANSFERRED FROM THE CUSTODY OF THE COMPETENT DIVISION OF R&D DEPARTMENT EXCEPT AS AUTHORIZED BY COMPAL ELECTRONICS, INC. NEITHER THIS SHEET NOR THE INFORMATION IT CONTAINS MAY BE USED BY OR DISCLOSED TO ANY THIRD PARTY WITHOUT PRIOR WRITTEN CONSENT OF COMPAL ELECTRONICS, INC.

Compal Electronics, Inc.			
HW2 EE Dept. PIR SHEET(1)			
Title			
Size	Document Number	Rev	
	LA-2411	0.1	
Date:	星期三, 七月 07, 2004	Sheet	57 of 65

PDF Watermark Remover DEMO : Purchase from www.PDFWatermarkRemover.com to remove the watermark

BHR60 from DB-2 to SI-1 STEP LA-1811 REV:0.3 -> 0.4 EE Modify

- 1. USB Connector JP33 Pin define sequence error. <Page 35> 92.04.08.**
-Change JP33 sequence JP33.4->JP33.1, JP33.3->JP33.2, JP33.2->JP33.3, JP33.1->JP33.4. (Modify EE Circuit)
- 2.LED Circuit to Power Button(PRES)modify . <Page 42, Page 46> 92.04.09.**
-Move Q66.1-R883-D56 -> Q62.1-R883-D56(PRES). (Modify EE Circuit)
-Rename Q62.2 net PWR_BACK# change to PWR_ACTIVE# connect to EC U15.119. (Modify EE Circuit)
- 3.Add +1.2VS_VGA Discharge Circuit. <Page 49> 92.04.09.**
-Add +1.2VS_VGA Discharge Circuit(R1116 , Q115 to SUSP). (Modify EE Circuit)
- 4.Add 3VDDCA & 3VDDCL pull hing CRT_VCC circuit. <Page 25> 92.04.09.**
-Add Q13.1-R1117 to +CRT_VCC & Q14.1-R1118 to CRT_VCC. (Modify EE Circuit)
- 5.PCMCIA U37 NET S1_CE2# & S1_CE1# Sweep. <Page 31> 92.04.09.**
- 6. MDC(JP17) Net AC97_SData_In1/AC97_SData_In2 to AC97_Data_In. <Page 44> 92.04.10.**
-Update BOM add R326. (Modify EE Circuit)
- 7. Change NB DDR Bus Net for basic on ATI NB DDR Bus Layout rule. <Page 9, 14, 15, 16> 92.04.11.**
-Add R1122(DDRA_CKE_R3), R1121(DDRA_CKE_R2). (Modify EE Circuit)
-Del R399(DDRA_CS#0), R400(DDRA_CS#2). (Modify EE Circuit)
- 8. Check BOM USB OUVUR R893&R895 470K change to 330K. <Page 44> 92.04.12.**
- 9. Add SUSP# pull Down. <Page 46> 92.04.14.**
-Add EC U15.115 to SUSP# pull Down @R1123 to GND. (Modify EE Circuit)
- 10. Add CPUCLK_STP# pull High Circuit. <Page 26, 5> 92.04.14.**
-BOM Q113 -> @ , Add R1124 to Q113.1 & Q113.3. (Modify EE Circuit)
-Add CPUCLK_STP# pull High @R1126 to +3VS . (Modify EE Circuit)
-Add CPUCLK_STP# serial resistor R1125 to Q96.2. (Modify EE Circuit)
- 11. Change BOM R585 75 -> 0 & R996 33 -> 68(REFCLK1_NB). <Page 11, 24> 92.04.15.**
- 12. SIO Circuit All Power Plan +3V -> +3VS. <Page 39> 92.04.15.**
- 13. Add NEC USB Corstralor U54.P19(SRMOD) pull Low. <Page 36> 92.04.16.**
-Add USB Constralor U54.P19(SRMOD) pull Low R1127 to GND. (Modify EE Circuit)
-Update BOM R1046 -> @. (Modify EE Circuit)
- 14. Add @R1132 pull High +3V(RTS1#) & @RP153 pull High +3V(CTS1#/DSR1#/DCD1#/RI1#). <Page 39> 92.04.16.**
- 15. Change BOM C364, C23, C24, C40, C798 47U -> 22U. <Page 8,28,41> 92.04.17.**
- 16. Change BOM R380 430 -> 412(U27.A9/CPU_RSET#). <Page 8> 92.04.17.**
- 17. Change BOM D57 HSMG-C170 -> 12-21SYGC/S530-E1, R1014 @ -> Del @. <Page 42> 92.04.17.**
- 18. Change BOM C191 4.7U -> 2.2U. <Page 17> 92.04.17.**
- 19. Change BOM C202,C931 10U -> 2.2U. <Page 20> 92.04.17.**
- 20. Change BOM R636 100K-> @10K, R637 100K-> @10K, R665 -> @. <Page 33> 92.04.17.**
- 21. Change MC_CD# - D44.3(SA_A25) -> D45.2, D44.2(SA_A22). <Page 33> 92.04.17.**
- 22. Add R1135 -> VTT_PWRGD(U15.165). <Page 46> 92.04.18.**
- 23. Add R1136, Q116, R1137, R1138 for pull High +3VS(CARD_LED#). <Page 42> 92.04.18.**
- 24. Change BOM Q67 -> @, R884 -> @(CARD_LED#). <Page 42> 92.04.18.**
- 25. Change BOM C966 22U -> 0.1U. <Page 18> 92.04.18.**
- 26. Change BOM C916 -> @, C917 -> @. <Page 36> 92.04.18.**
- 27. Change BOM R1019 -> @(U47.17 JS1) pull High. <Page 37> 92.04.18.**
- 28. Change BOM R264 47 -> 137(U6.PM27 AGPTST). <Page 17> 92.04.18.**

BHR60 from DB-2 to SI-1 STEP LA-1811 REV:0.3 -> 0.4 Layout Modify

- 1. USB Connector JP33 PCB Footprint error. <Page 40> 92.04.09.**
-Check JP38 ACES_85201-2605_26P. (Modify Layout)
- 2.Power Switch U53 PCB Footprint error. <Page 12> 92.04.09.**
-Change U53 SI9185_MLP33-8->MSOP8. (Modify Layout)
- 3.Crystal Y4 PCB Footprint error. <Page 11> 92.04.09.**
-Change Y4 Y_TXC_6X1430004201_20P->KDS_DSX840GA. (Modify Layout)
- 4.USB Key Connector JP46 Part error. <Page 44> 92.04.09.**
-Change JP46 S W-CONN ACES 85205-0400 4P P1.25(ACES_85205-0400_4P)->S H-CONN ACES 85201-0405 4P P1.0(ACES_85201-0405_4P). (Modify Layout)
- 5. Change BOM & Layout LED D57 Footprint . <Page 42> 92.04.15.**
-Change D57 HSMG-C170 to LED_12-21SYGC_S530-E1_TR8. (Modify Layout)
- 6. Change Layout Keyboard Connector JP13 Footprint. <Page 45> 92.04.15.**
-Change JP13 ACES_85201-2402_24P -> ACES_85201_2405_24P. (Modify Layout)
- 7. Change Layout FrontSideboard Connector JP42 Footprint. <Page 44> 92.04.15.**
-Change JP42 ACES_85201-1402_14P -> ACES_85201_1405_14P. (Modify Layout)

----PLEASE SEE NEXT PAGE

THIS SHEET OF ENGINEERING DRAWING IS THE PROPRIETARY PROPERTY OF COMPAL ELECTRONICS, INC. AND CONTAINS CONFIDENTIAL AND TRADE SECRET INFORMATION. THIS SHEET MAY NOT BE TRANSFERRED FROM THE CUSTODY OF THE COMPETENT DIVISION OF R&D DEPARTMENT EXCEPT AS AUTHORIZED BY COMPAL ELECTRONICS, INC. NEITHER THIS SHEET NOR THE INFORMATION IT CONTAINS MAY BE USED BY OR DISCLOSED TO ANY THIRD PARTY WITHOUT PRIOR WRITTEN CONSENT OF COMPAL ELECTRONICS, INC.

Compal Electronics, Inc.		
H/W2 EE Dept. PIR SHEET(2)		
Title		
Size	Document Number	Rev
	LA-2411	0.1
Date:	星期三, 七月 07, 2004	Sheet 58 of 65

BHR60 from DB-2 to SI-1 STEP LA-1811 REV:0.3 -> 0.4 EE Modify

<92.04.08.-92.04.18. >

- 29. Change U13.P1 <-> U13.P5, U14.P1 <-> U14.P5. <Page 43> 92.04.21.
- 30. Change R994.1 - AGP_DEVSEL# -> AGP_SBA1(DDC_DAT), R995.1 AGP_IRDY# -> AGP_SBA0(DDC_CLK). <Page 10> 92.04.21.
- 31. Add CLK_14M_APIC Terminte R,C @R1143 10/@C973 15P. <Page 26> 92.04.21.
- 32. Change SPR JP40 33,34 DOCKVIN -> GND , JP35,36 GND -> DOCKVIN, . <Page 41> 92.04.21.
- 33. Change BOM Q65 DTC124EK_SC59 -> MMBT3904_SOT23. <Page 41> 92.04.21.
- 34. Del @R1104, @R1089, @C953(CLK_SB_48M). <Page 36> 92.04.21.
- 35. Add @R1142 pull High(DOCK_LOUT_R). <Page 38> 92.04.21.
- 36. Add C971 & R1140 for VOLBTN+#, R1141 & C972 for VOLBTN-#, R1131 pull High +5VS, @R1139 pull High +3V. <Page 41> 92.04.21.
- 37. Add R520 @ -> Del @(JP8.AE26 COMPAT#). <Page 5> 92.04.23.
- 38. Change BOM R539, R540 61.9 -> 51.1 (JP8.L24/P1 COMP0/COMP1). <Page 5> 92.04.23.
- 39. Change BOM R553 100 -> 49.9, R558 169 -> 100. <Page 5> 92.04.23.
- 40. Change BOM R383 100 -> 49.9, R384 169 -> 100. <Page 8> 92.04.23.
- 41. Add R1001 @4.7K -> Del @, 100K pull Low(DPRS LPVR). <Page 26> 92.04.23.
- 42. Change BOM R40 @ -> Del @, R53 -> @. <Page 29> 92.04.23.
- 43. Change BOM R792 -> @, R795 @ -> Del @. <Page 39> 92.04.23.
- 44. Change BOM R230 -> @. <Page 4> 92.04.23.
- 45. EMI add R1144 for SSOUT. <Page 10> 92.04.24.
- 46. EMI change D73, D74, D75, D76 part. <Page 38> 92.04.24.
- 47. Add C974 pull Low for +NB_AGP. <Page 17> 92.04.24.
- 48. Change BOM R623 10K -> 0. <Page 25> 92.04.28.
- 49. Change BOM R622, R619 10K -> @. <Page 25> 92.04.28.

BHR60 SI STEP LA-1811 REV:0.4 EE MEN <92.04.28. >

- 1. Change C781 SE077106M00 -> SE054106Z10. <Page 39> 92.04.28.
- 2. Change C963 -> @. <Page 41> 92.04.28.
- 3. Change C974 -> @. <Page 17> 92.04.28.
- 4. Change C742 -> (SD02800000) 0 Ohm. <Page 37> 92.04.28.
- 5. Add R771 -> (SD028470100) 4.7K Ohm. <Page 37> 92.04.28.
- 6. Add C747 -> (SE070104Z00) 0.1U. <Page 37> 92.04.28.
- 7. DEL R761,R762 <Page 37> 92.04.28.

BHR60 from DB-2 to SI-1 STEP LA-1811 REV:0.3 -> 0.4 Layout Modify

<92.04.08.-92.04.18. >

----PLEASE SEE NEXT PAGE

THIS SHEET OF ENGINEERING DRAWING IS THE PROPRIETARY PROPERTY OF COMPAL ELECTRONICS, INC. AND CONTAINS CONFIDENTIAL AND TRADE SECRET INFORMATION. THIS SHEET MAY NOT BE TRANSFERRED FROM THE CUSTODY OF THE COMPETENT DIVISION OF R&D DEPARTMENT EXCEPT AS AUTHORIZED BY COMPAL ELECTRONICS, INC. NEITHER THIS SHEET NOR THE INFORMATION IT CONTAINS MAY BE USED BY OR DISCLOSED TO ANY THIRD PARTY WITHOUT PRIOR WRITTEN CONSENT OF COMPAL ELECTRONICS, INC.

Compal Electronics, Inc.		
H/W2 EE Dept. PIR SHEET(3)		
Title		
Size	Document Number	Rev
	LA-2411	0.1
Date:	星期三, 七月 07, 2004	Sheet 59 of 65

PDF Watermark Remover DEMO : Purchase from www.PDFWatermarkRemover.com to remove the watermark

PDF Watermark Remover DEMO : Purchase from www.PDFWatermarkRemover.com to remove the watermark

Item	Fixed Issue	Reason for change	PAGE	Modify List	M.B. Ver.
1		Prevent CPUCLK_STP# abnormal state happened	5	Change R1125 from 4.7K to 12K	0.5
			26	Delete R1126	
			29	Change R40 from 10K to 1K	
2		Prevent power leakage	7	Change the power of U8 from +3VS to +3VALW	0.5
3		Power saving	7	Change the power of Fans from +5VALW to +5VS	0.5
4		ATI recommendation	8	Add C974	0.5
5		Add VGA DRAM size detect function	17	Add R1149 for 128MB VGA DRAM (un-populate for 64MB)	0.5
6		Add CS1# for Hynix 8Mx32 VGA DRAM	18, 19, 22, 23	Add Nets: NMCSA1# and NMCSB1#	0.5
7		Change M9+X VGA_CORE from +1.5VS to individual power source	21	Delete JOPEN3	0.5
8		Delete useless components	5	Delete R538	0.5
			25	Delete C96	
			27	Delete Q114, Add R1145	
9		Solve power leakage from CRT	25	Change R619.1 and R622.1 net from +5VS to CRT_VCC	0.5
10		Prevent DPRSLPVR abnormal state happened	26	Change R1001 from 100K to 47K, R1002 from 0 to 47K	0.5
11		Using rechargeable RTC battery for HP's request	26	Delete D66, D71 and D72; Add D91 (BAS40-04, the same as LA-1761 D30); Change BATT1 from CR1220 to ML1220 (the same as LA-1761 BATT1)	0.5
12		Prevent +5V drop while plug SPR for HP's request	41	Change JP40.3, C798.1, C800.1 and C801.1 net from +5V to USB_VCCA; Change C798 from 22u to @10u; Change C801 from 1000p to @1000p	0.5
13		Enhance brightness of blue LEDs	42, 45	Delete Q67, R883, R884, R942 and R943; Add Q117 and R1146; Change R881, R882, R885, R888, R889, R890, R925 and R1136 to 220	0.5
			44	Change JP42.2 from BATLED_0 to BATLED_0#; Change JP42.7 from N.C. to +5VALW; Change JP42.12 from PAV_GND to PAV_LEDVCC; Change JP42.13 from PMLED_1 to PMLED_1#; Change JP42.14 from PAV_GND to +5VS; Change JP45.7 from PRES_GND to PRES_LEDVCC; Change JP45.8 from PRES_GND to +5VS	
14		Solve PWR_ACTIVE LED function fail issue	42	Change power from +3VS to +5V for PWR_ACTIVE LED (D52 and D56)	0.5
			46	Add R1147 and R1148; Change U15.76 net from N.C. to PWR_ACTIVE_PRES#; Change U15.87 net from N.C. to PRES_DETECT; Change U15.119 net from PWR_ACTIVE# to PWR_ACTIVE_PAV#	
15		Solve M10 can't power up issue	49	Change R1101 from 100K to 56K; Change R901 from 91K to 27K	0.5
16		Add discharge components	49	Add R372, R1095, R1102, Q36, Q103 and Q109	0.5
17		Material change for ME's request	44	Change JP47 from ACES_88231_0200 to MOLEX_53398_0290 (the same as LA-1761 JP2)	0.5
18		Using NEC USB2.0 to support BT for HP's request	44	Change R1082.2 net from USB3+ to USB5+; Change R1081.2 net from USB3- to USB5-	0.5
19		Increase MONO_IN voltage level	37	Change R738 from 2.4K to 10K	0.5
20		Decrease Audio AMP Gain	38	Change R971 from 100K to @100K; Change R973 from @100K to 100K	0.5

Update with Item23

Compal Electronics, Inc.			
HW2EE Dept. PIR SHEET(4)			
Size	Document Number	Rev	
	LA-2411	0.1	
Date:	星期三, 七月 07, 2004	Sheet	60 of 65

THIS SHEET OF ENGINEERING DRAWING IS THE PROPRIETARY PROPERTY OF COMPAL ELECTRONICS, INC. AND CONTAINS CONFIDENTIAL AND TRADE SECRET INFORMATION. THIS SHEET MAY NOT BE TRANSFERRED FROM THE CUSTODY OF THE COMPETENT DIVISION OF R&D DEPARTMENT EXCEPT AS AUTHORIZED BY COMPAL ELECTRONICS, INC. NEITHER THIS SHEET NOR THE INFORMATION IT CONTAINS MAY BE USED BY OR DISCLOSED TO ANY THIRD PARTY WITHOUT PRIOR WRITTEN CONSENT OF COMPAL ELECTRONICS, INC.

Item	Reason for change	PAGE	Modify List	M.B. Ver.
21	RTL8101L no need transistor for 3.3V to 2.5V anymore REALTEK recommendation	34	Delete Q55, R944 and C668 Change R704 from 5.6K_0402_5% to 5.6K_0402_1%	0.5
22	Connector Spec. change for ME's request	44	Change PCB Footprint from SUYIN_020167MR004SX01ZR_4P to suyin_020167mr004s511zu_4p for JP18, JP19 and JP20	0.5
23	Solve Tr and Tf of H-sync/V-sync over Spec issue for high resolution CRT	25	Delete Q68, Q64, R619, R620, R621 and R612; Add U57, U58 and R1150	0.5
24	Delete useless components with BOM	10 24	Delete R574, R1086 and C952 Delete R210 for UMA only	0.5
25	Add SB to control H_PROCHOT# for HP's request	26	Add Q118 and R1151	0.5
26	Add components for EMI	37 40 40	Add R1152 Add L65 - L78 Add L79 - L97	0.5
27	Solve DOS cold-boot shunt down issue	7	Delete C256	0.5
28	Decrease overshoot & undershoot	25	Add R1153 and R1154	0.6
29	Change SB GPIO0 and GPIO2 pull-down to GND	26	Delete RP126; Add R1155- R1157	0.6
30	Only 0603 size in SAP for 5.6K_1%	34	Change component size of R704 from 0402 to 0603	0.6
31	The pin-definition of FDD conn. was error on rev0.5 M/B	40	Correct the pin-definition for JP38	0.6
32	VIA recommendation	40	Change RP119 from 1K to 330; Delete RP121; Add R? and R?	0.6
33	Enhance brightness of Docking LEDs	41	Change R880 from 10K to 470	0.6
34	To support wake-up function with TP	44	Change TP power from +5VS to +5V	0.6
35	Delete useless components	5 12 17 20 24 25 26 27 29 37 38 39	Delete R535, R536, R991 and R992 Delete U53, C912-C914, D79-D82, R954, R1010-R1012 and R1023 Delete Q15 and R251 Delete R1022 Delete R211 and R216 Delete C93-C95 and C930 Delete Q113, R1124 and D91; Add D93 Delete RP149, RP150, R1145 and Q114 Delete R53 Delete L45, R1019, Y6, R756, C740 and C741 Delete R1142 Delete RP153 and R1132	0.6
36	To improve RTC accuracy	26	Change Y1 from +/-20ppm to +/-10ppm	0.6
37	Solve Cardbus controller can't reset well issue	31	Delete R905, R941 and C906; Connect U37.C11 to G_RST#	0.6
38	Add components for EMI	37 40	Add L98 and L99 Add C975, C976, CP15-CP17	0.6
39	Improve Audio quality	37 38 41	Delete C753-C756; Add R1165-R1168 and C979 Add R1158 and R1164; Exchange the nets of JP41.2 and JP41.3 Add R1161	0.6
40	Add components for ID & ME	42	Add D92	
41	Modify +5V power-up timing to lead +3V	49	Change R904 from 91K to 47K	

PDF Watermark Remover DEMO : Purchase from www.PDFWatermarkRemover.com to remove the watermark

BHR60 from SI-1 to DB(15.4'') LA-1811 REV:0.4 -> 0.5
HW PIR <92.05.07.~92.05.30.>

BHR60 from DB to SI LA-1811 REV:0.5 -> 0.6
HW PIR <92.06.20.~92.07.03.>

THIS SHEET OF ENGINEERING DRAWING IS THE PROPRIETARY PROPERTY OF COMPAL ELECTRONICS, INC. AND CONTAINS CONFIDENTIAL AND TRADE SECRET INFORMATION. THIS SHEET MAY NOT BE TRANSFERRED FROM THE CUSTODY OF THE COMPETENT DIVISION OF R&D DEPARTMENT EXCEPT AS AUTHORIZED BY COMPAL ELECTRONICS, INC. NEITHER THIS SHEET NOR THE INFORMATION IT CONTAINS MAY BE USED BY OR DISCLOSED TO ANY THIRD PARTY WITHOUT PRIOR WRITTEN CONSENT OF COMPAL ELECTRONICS, INC.

Compal Electronics, Inc.		
HW2EE Dept. PIR SHEET(5)		
Title	Document Number	Rev
	LA-2411	0.1
Date:	星期三, 七月 07, 2004	Sheet 61 of 65

Item	Reason for change	PAGE	Modify List	M.B. Ver.
42	Correct Y1 and Y3 pin-out	26 46	Using pin-1 and pin-2 of these crystals	0.7
43	ATI Product Advisory, refer to PA_2181XP0T1	44	Delete R65, R66, R67, R70, R72, R75, R79, R82, R86, R89, R94 and R95	0.7
44	Solve CD-ROM audio noise issue	30	Delete C11	0.7
45	Solve audio noise issue	37	Change R733.1 from +5VS to +5VAMP_CODEC	0.7
46	For EMI	38	Add L100, L101, L102 and L103	0.7
47	For FIR detect	39	Add R1173(no fir) and R1174(with FIR)	0.7
48	ATI recommendation	27 46	Change RP12 from 10K to 2.2K Add R1175	0.7
49	Delete useless components	46	Delete D69 and D70	0.7
50	To support wake-up function with TP	46	Delete RP154; Add R1169, R1170, R1171 and R1172	0.7
51	Solve M10 can't power up issue	49	Delete C844 Change R901 from 27K to 6.8K	0.7
52	Improve Tr and Tf of H-sync/V-sync for high resolution CRT	25	Decrease the R,L,C value	0.7
53	Modify brightness of LEDs	42 45	Change Transistors from BJT to PMOS and Resisters value for Pav; Change Resisters value for Pre	0.7
54	Fast power on for battery only	45	Change R306 from 100K to 470; Delete Q112	0.7
55	Improve contact		Move JP2(CD-ROM conn.) right 0.65mm	0.7
56	Correct Caps. LED and Numl. LED placement		Exchange the placement of these LEDs	0.7
57	Solve audio noise issue		Cut the bridge between AGND and DGND in GND1 layer	0.7
58	Reserve for EMI	37	Add JOPEN6, JOPEN7 and JOPEN8	0.7
59	Improve USB2.0 signal quality	36	Change R1027, R1029, R1030, R1031, R1032, R1033, R1034 and R1035 to 42.2	0.7
60	Reserve VRAM detect function for ATI recommendation	17	Connect R256/R257 to ZV_DATA0/ZV_DATA1, and pull-up to +3VS	1.0
61	For EMI	38 48 36 24 26 28 37 41 25	Change C761-C764 to 470pF and pull-down to D-GND; Change L100-L103 to MCK2012221YZT(2A) 1.0 Delete C110-C115 Change L89, R1079 & R1080 to CHB1608U301 Add C855, C856, C907 and C908 Change L11 & L12 to MBV2012301YZT Change PCI clock damping resisters to 39 ohm Add C873-C881, C980-C983; Change R60-R62 to MBV2012301YZT Delete R769 & R770; Add C984-C992 & L104 Add L105 Add C993 & C994	
62	Reduce GHI# "LOW" voltage level	5	Change R527 to 300 ohm	1.0
63	Fix "Pop" sound during boot up	37	Add C979	1.0
64	For PCBA skew reducing	42 45	Change R885, R888, R890, R1136 and R925 to 130	1.0
65	TI recommendation	32	Add R1177	1.0
66	Solve audio L/R swap issue	37 44	Change R750 & R753 to 27 ohm Delete R327 & C305	1.0
67	Improve NIC transmit return loss	34	Change U41 to NS0019	1.0

PDF Watermark Remover DEMO : Purchase from www.PDFWatermarkRemover.com to remove the watermark

BHR60 from SI-1 to PV LA-1811 REV:0.6-> 0.7
Fixed Issue
HW PIR <92.07.03.~92.08.08. >

THIS SHEET OF ENGINEERING DRAWING IS THE PROPRIETARY PROPERTY OF COMPAL ELECTRONICS, INC. AND CONTAINS CONFIDENTIAL AND TRADE SECRET INFORMATION. THIS SHEET MAY NOT BE TRANSFERRED FROM THE CUSTODY OF THE COMPETENT DIVISION OF R&D DEPARTMENT EXCEPT AS AUTHORIZED BY COMPAL ELECTRONICS, INC. NEITHER THIS SHEET NOR THE INFORMATION IT CONTAINS MAY BE USED BY OR DISCLOSED TO ANY THIRD PARTY WITHOUT PRIOR WRITTEN CONSENT OF COMPAL ELECTRONICS, INC.

Compal Electronics, Inc.		
HW2EE Dept. PIR SHEET(6)		
Size	Document Number	Rev
	LA-2411	0.1
Date:	星期三, 七月 07, 2004	Sheet 62 of 65

BHR60 LA-1811 REV:1.0 ->1A
 HW PIR
 PDF Watermark Remover DEMO : Purchase from www.PDFWatermarkRemover.com to remove the watermark

Item	Fixed Issue	Reason for change	PAGE	Modify List	M.B. Ver.
67		reserve Hynix DDR blue screen issue when boot to Win XP	16	Add R1180	1A
68		For EMI	43	Connect MiniPCI clamp (pin127 and pin128) to GND	1A
69		For EC NS97551 +3VALW undershoot issue	46	Add D94 and R1178	1A
70		Delete unnecessary component	46	Delete JP21	1A
71		Reserve for when you connect the dock station cable in unit playing an audio occur a speaker switch	47	Delete JP22	1A
72			46	Add R1179 and C995	1A
73		The region is ME height limited zero	54	Delete PJP10 than short it directly	1A
74					
75					
76					
77					
78					
79					
80					
81					
82					
83					
84					
85					
86					
87					
88					
89					
90					
91					

THIS SHEET OF ENGINEERING DRAWING IS THE PROPRIETARY PROPERTY OF COMPAL ELECTRONICS, INC. AND CONTAINS CONFIDENTIAL AND TRADE SECRET INFORMATION. THIS SHEET MAY NOT BE TRANSFERRED FROM THE CUSTODY OF THE COMPETENT DIVISION OF R&D DEPARTMENT EXCEPT AS AUTHORIZED BY COMPAL ELECTRONICS, INC. NEITHER THIS SHEET NOR THE INFORMATION IT CONTAINS MAY BE USED BY OR DISCLOSED TO ANY THIRD PARTY WITHOUT PRIOR WRITTEN CONSENT OF COMPAL ELECTRONICS, INC.

Compal Electronics, Inc.		
H/W2 EE Dept. PIR SHEET(2)		
Size	Document Number	Rev
	LA-2411	0.1
Date:	星期三, 七月 07, 2004	Sheet 63 of 65

Version Change List (P. I. R. List) for Power Circuit

Item	Page#	Title	Date	Request Owner	Issue Description	Solution Description	Rev.
1	54,55,56,57	wrong layout pad	03/25/2003	Compal	wrong layout pad	change to correct layout pad on PU7, PU8, PU9, PU10, PU11, PU16 and PQ24	0.2
2	56	DPRSLPVR	03/25/2003	Compal	Reserve two resistors for voltage of Deep-sleeper mode	Reserver PR231, PR232, PR233, PR234 for deeper-sleeper mode voltage setting	0.3
3	56	CPU VR-Cont.	03/25/2003	Compal	Reserve a jumper for power consumption measurement	Add PJP14	0.3
4	57	CPU VR-Cont.	03/25/2003	Compal	Change the netname +5VS_CORE for power consumption measurement	Change Netname of +5VS_CORE	0.3
5	51	RTC charger	03/25/2003	Compal	use two resistors for RTC charger protection	Add PR230	0.3
6	55	1.2VS_VGA	03/25/2003	Compal	re-layout 1.2V_VGA requested by ME	re-located both PL10 and PQ21, PQ23 as well as 1.2VS_VGA related power circitry	0.3
7	55	1.2VS_VGA	03/26/2003	Compal	Reserve a jumper for power consumption measurement	Add PJP15	0.3
8	55	+1.25VSP	03/26/2003	Compal	Change power time-sequence of 1.25VSP input power	Change VD, and VDD of PU16 from +2.5VALWP to +2.5VS; Connect PR235.2 to +2.5VS add a resistor PR235 for Stand/By pin for test	0.3
9	54	+1.5VALWP	03/27/2003	Compal	Reserve Force PWM function of 1.5V/2.5V and add a PR236 for SUSP# signal	Add PR237, PR238 for force PWM function control, and add PR236 for SUSP# signal	0.3
10	54	+1.5VALWP	04/16/2003	Compal	change 1.5V time sequence	Change power time-sequence of 1.5VSP input power	0.4
11	56	CPU DPRSLPVR	04/16/2003	Compal	Change DPRSLPVR design	Add two transistor PQ44,PQ45 for voltage of Deep-sleeper mode	0.4
12	54 55 56	PWR JUMP	04/16/2003	Compal	For DFX issuse	Change power JUMP SIZE to follow new jump role	0.4
13	56	CPU DPRSLPVR	04/18/2003	Compal	Change DPRSLPVR design	Reserve DPRSLPVR function and add a PR136 for +5VS_CORE signal	0.4
14	50	Vin DETECTOR	04/30/2003	Compal	to make ACIN to enable to pull low	Change PR8 form 10k_0603 to 0K_0603	0.4
15	50	Precharge	04/30/2003	Compal	BOM error	Change PR1 from 10k_0603 to 100k_0603	0.4
16	51	Battery OTP	04/30/2003	Compal	To change feekbeck time	Change PC20 from .22u to 1u ;PR40&PR42 from 100k to 150k; PC80 from 1u to .47u	0.4
17	51		04/30/2003	Compal	change component	Change PU3 from S-81233SGUP-T1 to S-812C33AUA-C2N	0.4
18	52	Battery_OVP	04/30/2003	Compal	To avoide the BATT_OVP output to oscillate	Delet PC44&PR71	0.4
19	53	5V/3.3V/12V	04/30/2003	Compal	BOM error	Change PD16 from EC31Q04 to EC11FS2	0.4
20	53	5V/3.3V/12V	04/30/2003	Compal	To improve the 3V output ripple Voltage	Delet PC77	0.4

Compal Electronics, Inc.		
Changed-List History-1		
Size	Document Number	Rev
	LA-2411	0.1
Date:	星期三, 七月 07, 2004	Sheet 64 of 65

PDF Watermark Remover DEMO : Purchase from www.PDFWatermarkRemover.com to remove the watermark

Version Change List (P. I. R. List) for Power Circuit

Item	Page#	Title	Date	Request Owner	Issue Description	Solution Description	Rev.
21	55	1.2VS_VGA	04/30/2003	Compal	BOM errors	Change PR121 from 511k to 180k;PR122 form 9.09k to 4.64k	0.4
22	50	Precharge detector	05/16/2003	Compal	System can't power on by battery	Add PR191(909K_0603),PR192(47k_0603),PRPQ46(2N7002)&PQ47(DTC115EUA_SC70) Change PR5 from 150k to 180k	0.5
23	51	Colok THROTTLING	05/16/2003	Compal	To modify the circuit	Add PR193(73.2k) ,PC97(0.01U_0603); change PR22 form 84.5K to 11.5K	0.5
24	56,57	CPU_CORE(1&2)	05/16/2003	Compal	Change the fregeuce 300k to 200k	delet PR138 ; add PR187(0_0603)&PR188(0_0603)	0.5
25	52	Charger	05/16/2003	Compal	To modify the charger circuit	Add PR194(1K) ,PC98(0.1U_0603),PR195(47K),PQ48(DTA144EUA),PQ49(DTC115EUA),PQ50(2N7002),PD30(1SS355)	0.5
26	55	1.2VS_VGA	05/16/2003	Compal	To modify the circuit for 1.2VS_VGA &1.5VS_VGA	add PR124(11.5k_0603)	0.5
27	53	3V/5V/12V	07/4/2003	Compal	To modify the DCR sense	Add PR81(3.4k) ,PR78(3.4K),PR79(0_0402) ,PR85(0_0402),PC67(0.1U_0603) ,PC68(0.1U_0603);delet PR86,PR88,PR90,PR93	0.6
28	56	CPU_CORE	07/4/2003	Compal	To modify THE CPU Load line form -1.5mV/A to -2.2mV/A	Change PR158,PR180 from 2k to 3.4k	0.6
29	56,57	CPU_CORE(1&2)	07/4/2003	Compal	To improve the CPU_CORE effecient	Change PL12,PL13,PL14,PL15 from TOHO to PANASONIC	0.6
30	50	DC_in	08/4/2003	Compal	For Gibson issue ,add two schottky diodes	add PD43(SBM1040-13_powermite3) ,PD44(SBM1040-13_powermite3)	0.7
31	52	Charger	08/4/2003	Compal	To modify the Precharge circuit	Add PD30(1SS355_SOD323) ,PC98 (0.1U_0603),PR195(47K_0402),PQ49(DTC115EUA)	0.7
32	53	3V/5V/12V	08/4/2003	Compal	To solve the DCR sense for 5V OCP issue	change PR81(1.27k) ,PR78(1.54K),PR79(0_0402) ,PR85(0_0402),PC67(0.47U_0603) ,PC68(0.47U_0603);add PR241(1.24k),PR242(620 ohm),PR243(698 ohm)	0.7
33	56	CPU_CORE	08/4/2003	Compal	To modify THE CPU Load line form -2.2mV/A to -1.5mV/A, and senes CPU VCC and VSS	Change PR158,PR180 from 3.4k to 2.2k and add PR244 (0 ohm) and PR245(0 ohm)	0.7
34	52	Charger	08/4/2003	Compal	To improve the charger feedback loop for charger noise issue	Change PR52 (47k_0603),PR57(1K_0603),PC36(1500P_0603)	0.7
35	52		2004.05.31		change 2.5V from fix to adjust	Add pr267, PR268 and PC211	

PDF Watermark Remover DEMO : Purchase from www.pdfwatermarkremover.com to remove the watermark